

PARTS CATALOGUE



MOBILITY SCOOTER

EA10BB(JP)

SUNNY BOY 48V鋰電池



Release Date : 2013/08/02
Print Date : 2017/07/18

本パーツリストについて

- 本パーツリストは EA10BB(JP).の全てのパーツ番号が記載されています。
- 車輻のカラーチャートとバイクに相違がある場合は正規販売店もしくは KYMCO JAPAN へお問い合わせください。
- 1. "***"記号が記載している場合、3文字の色コードをパーツ番号の最後に記入してください。
2. "#" 記号が記載している場合、パーツの設定、変更があります。正規販売店もしくは KYMCO JAPAN へお問い合わせください。
- このパーツリストの変更または追加は、適切な時期に予告なく行われます。

ABOUT THIS PARTS LIST

- This parts list is compiled all service parts for model EA10BB(JP).
- Any difference between color chart and motorcycle will be revised according to motorcycle.
- The Mark:
 1. Marking "***" must add color code in the end before ordering parts.
 2. Marking "#" are parts with modification, Please find the details from e-Parts system.
- When modification or additions to this parts list are made a revised edition at an appropriate time.

目次

● 本パーツリストについて	1
● EA10BB(JP)のカラーチャート	3
● 目次-エンジン関	7
● 目次-フレーム関係	7
● エンジンパーツリスト	8
● フレームパーツリスト	8
● パーツ番号 検索	36

CONTENTS

● ABOUT THIS PARTS LIST	1
● COLOR CHART OF EA10BB(JP)	3
● CONTENTS-ENGINE GROUP	7
● CONTENTS-FRAME GROUP	7
● ENGINE PARTS LIST	8
● FRAME PARTS LIST	8
● PART NO. INDEX	36

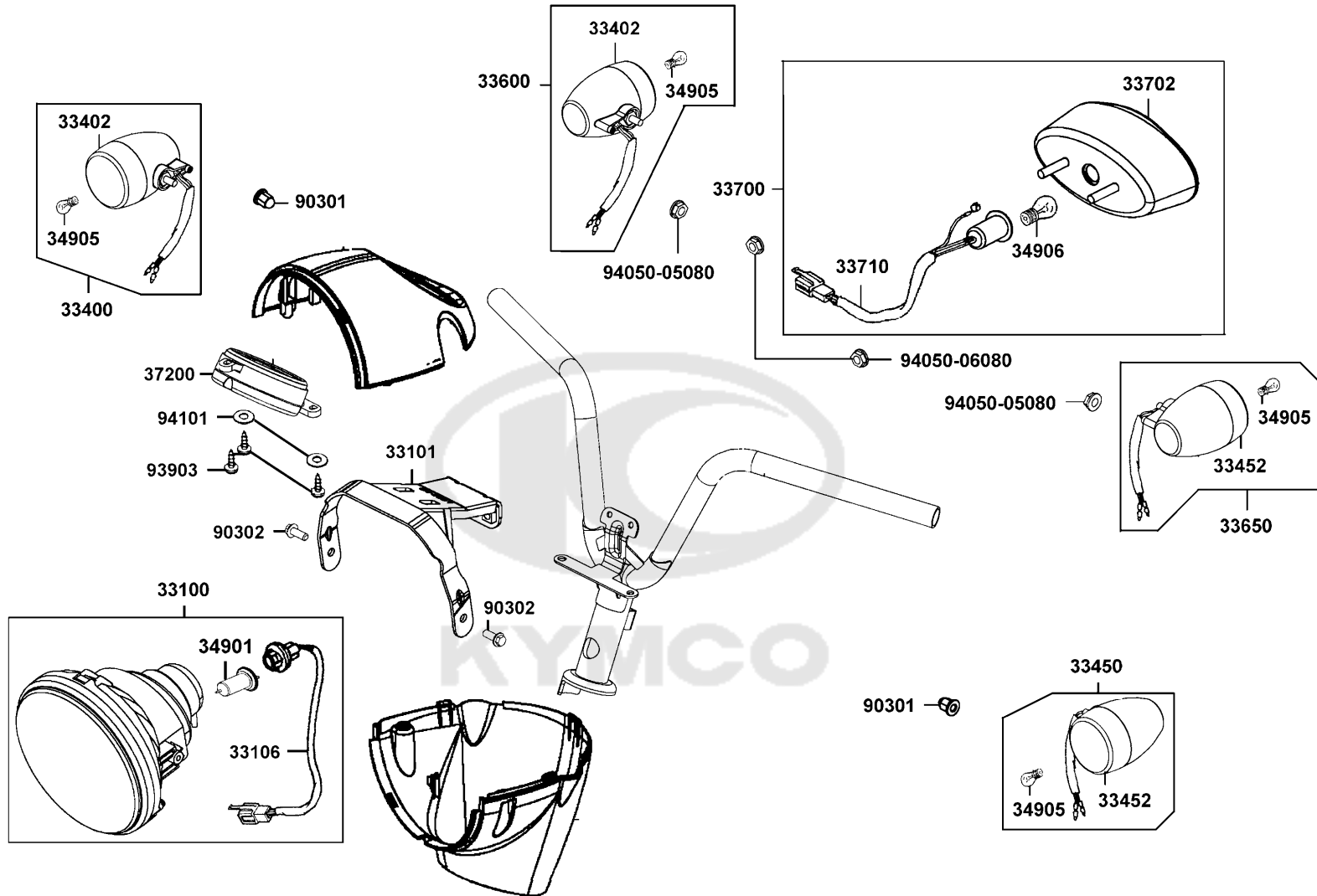
NO	モデル			EA10BB(JP)のカラーチャート				
	写真番号			NO. 1	NO. 2	NO. 3	NO. 4	
	基本色							
	コード				Light Blue Metallic	Pink Metallic	Pearly White	
	パーツ名	パーツ番号	バージョン	PB078MA	PB078MA	RR222MA	NH193PA	
1	FLOOR PANEL	64310-LGD8-900	2	H4R				
2	PLUG FR FLOOR	64316-LGD8-900	1					
3	PLUG RR FLOOR	64317-LGD8-900	1					
4	SKIRT R SIDE	64305-LGD8-600	1	HGR				
5	SKIRT L SIDE	64306-LGD8-600	1					
6	COVER. CENTER	80151-LGD8-900	1					
7	LEG SHIELD	81131-LGD8-900	5					
8	HOOK LUGGAGE	81132-LFG6-900	2					
9	LID LEG SHIELD	81142-KUDU-900	1	N1A				
10	PANEL ASSY RR BRK	43000-LGD8-B20	1					
11	PANEL ASSY LH.FR	45000-LGD8-900	8					
12	HANDLE R LEVER	53175-LGD8-900	0					
13	HANDLE L LEVER	53178-LGD8-900	0					
14	COVER.R CHAIN	40510-LGD8-910	4	N1R				
15	COVER.L CHAIN	40511-LGD8-910	4					
16	GRIP BATT CASE	50328-LGD8-900	1					
17	COVER UNDER	50613-LGD8-900	1					
18	COVER.HEAD LIGHT	53207-LGD8-910	2				N8P	
19	COVER HANDLE UP	53205-LGD8-900	2					
20	COVER HANDLE LOW	53206-LGD8-900	1	CGP			EAP	NVP
21	FENDER FR	61100-LGD8-900	0					
22	COVER FR	64301-LGD8-900	2					
23	FENDER.RR.TIRE	80100-LGD8-910	3					
24	COVER SET R BODY	83500-LGD8-900	3					
25	COVER SET L BODY	83600-LGD8-900	3					
販売開始時期								
販売終了時期								

NO	モデル			EA10BB(JP)のカラーチャート			
	写真番号			NO. 5			
	基本色						
	コード			Pale Green			
	パーツ名	パーツ番号	バージョン	GG252PA			
1	FLOOR PANEL	64310-LGD8-900	2	H4R			
2	PLUG FR FLOOR	64316-LGD8-900	1				
3	PLUG RR FLOOR	64317-LGD8-900	1				
4	SKIRT R SIDE	64305-LGD8-600	1	HGR			
5	SKIRT L SIDE	64306-LGD8-600	1				
6	COVER. CENTER	80151-LGD8-900	1				
7	LEG SHIELD	81131-LGD8-900	5				
8	HOOK LUGGAGE	81132-LFG6-900	2				
9	LID LEG SHIELD	81142-KUDU-900	1	N1A			
10	PANEL ASSY RR BRK	43000-LGD8-B20	1				
11	PANEL ASSY LH.FR	45000-LGD8-900	8				
12	HANDLE R LEVER	53175-LGD8-900	0				
13	HANDLE L LEVER	53178-LGD8-900	0				
14	COVER.R CHAIN	40510-LGD8-910	4	N1R			
15	COVER.L CHAIN	40511-LGD8-910	4				
16	GRIP BATT CASE	50328-LGD8-900	1				
17	COVER UNDER	50613-LGD8-900	1				
18	COVER.HEAD LIGHT	53207-LGD8-910	2	N8P			
19	COVER HANDLE UP	53205-LGD8-900	2	Q7P			
20	COVER HANDLE LOW	53206-LGD8-900	1				
21	FENDER FR	61100-LGD8-900	0				
22	COVER FR	64301-LGD8-900	2				
23	FENDER.RR.TIRE	80100-LGD8-910	3				
24	COVER SET R BODY	83500-LGD8-900	3				
25	COVER SET L BODY	83600-LGD8-900	3				
販売開始時期							
販売終了時期							

Sales mark 記号	Ref no 参照用番号	Part no パーツ番号	Description 部品名	Reg description 部品名	Regd no 必要個数	Ref Price 希望小売価格(税抜)	F01
33100		33100-LGD8-700	LIGHT ASSY HEAD	LIGHT ASSY HEAD	1	11600	
33101		33101-LGD8-910	BRKT FR LAMP	BRKT FR LAMP	1	960	
33106		33106-LEA2-900	SOCKET COMP	SOCKET COMP	1	2390	
33400		33400-LGD8-700	WINKER ASS'Y R/L FR	WINKER ASS'Y R/L FR	1	2390	
33402		33402-KEB7-900	LENS R FR WINKER	LENS R FR WINKER	2	300	
33450		33450-LGD8-700	WINKER ASSY R/L FR	WINKER ASSY R/L FR	1	2390	
33452		33452-KEB7-900	LENS L FR WINKER	LENS L FR WINKER	2	300	
33600		33600-LGD8-900	WINKER RR F/R	WINKER RR F/R	1	2010	
33650		33650-LGD8-900	WINKER RR F/R	WINKER RR F/R	1	2010	
33700		33700-LGD8-900	LIGHT ASS'Y TAIL	LIGHT ASS'Y TAIL	1	5330	
33702		33702-LLB1-900	LENS TAIL LIGHT	LENS TAIL LIGHT	1	390	
33710		33710-LLB1-900	SOCKET COMP TAIL LIGHT	SOCKET COMP TAIL LIGHT	1	960	
34901		34901-KKA8-900	BULB HEAD LIGHT (12V35/35W)	BULB HEAD LIGHT (12V35/35W)	1	4570	
34905		34905-KPCP-900	BULB WINKER	BULB WINKER	4	400	
34906		34906-KPCP-900	BULB TAIL & STOP	BULB TAIL & STOP	1	770	
37200		37200-LGD8-B20	METER ASSY	METER ASSY	1	17790	
90301		90301-LGD8-900	NUT 4MM CAP	NUT 4MM CAP	2	200	
90302		90302-GFY6-901	BOLT WASH 5*12 **(1) C.V.	BOLT WASH 5*12 **(1) C.V.	2	60	
93903		93903-34360	SCREW WASHER 4*12	SCREW WASHER 4*12	3	60	
94050-05080		94050-05080	NUT FLANGE 5MM	NUT FLANGE 5MM	2	200	

F01

HEAD LIGHT ASSY



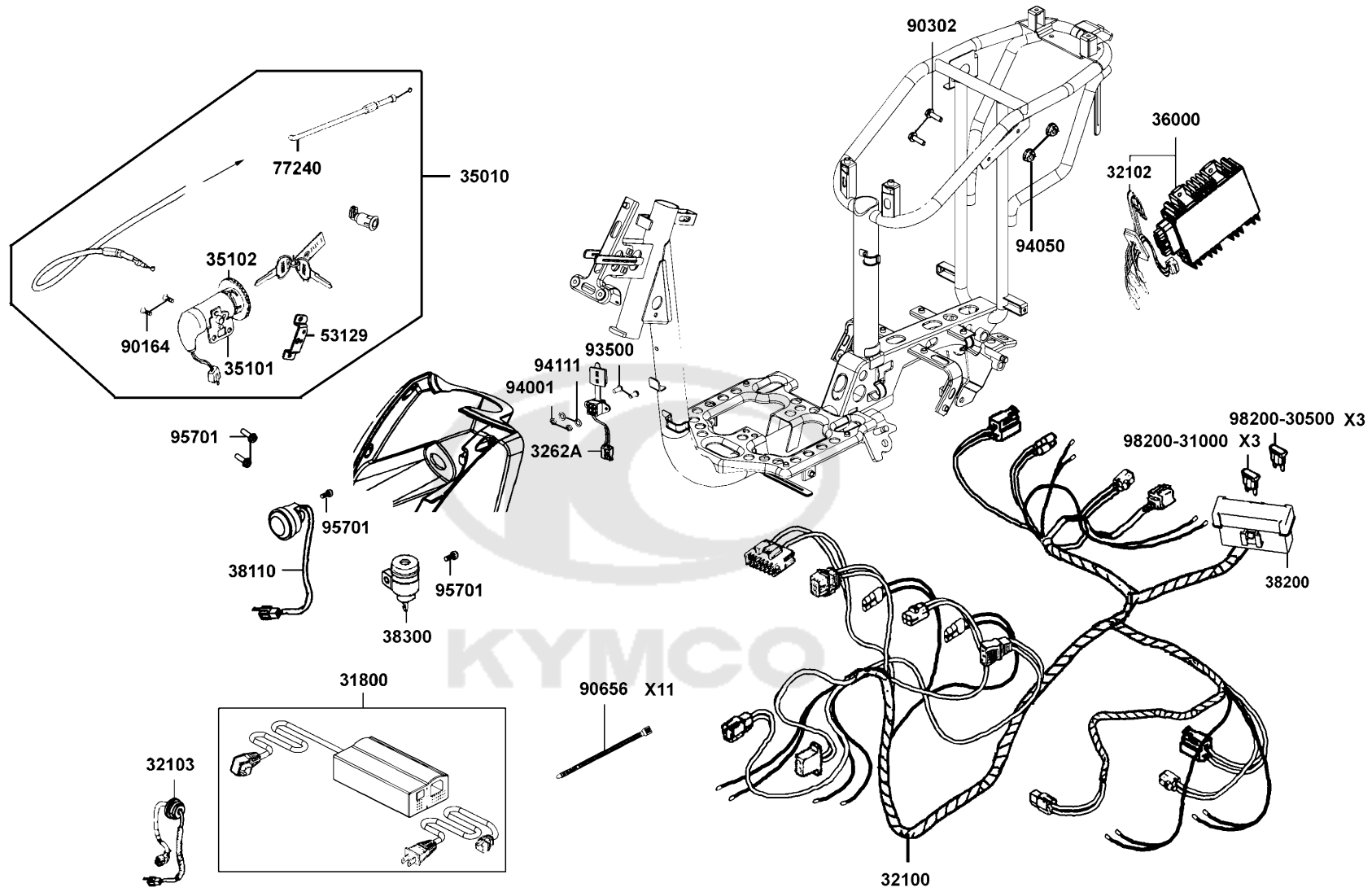
Sales mark 記号	Ref no 参照用番号	Part no パーツ番号	Description 部品名	Reg description 部品名	Regd no 必要個数	Ref Price 希望小売価格(税抜)	F01
------------------	-----------------	------------------	--------------------	------------------------	-----------------	-------------------------	-----

94050-06080	94050-06080	NUT FLANGE 6MM	NUT FLANGE 6MM	2	60	
94101	94101-05700	WASH PLAIN 5MM	WASH PLAIN 5MM	2	60	



F02

Wire Harness



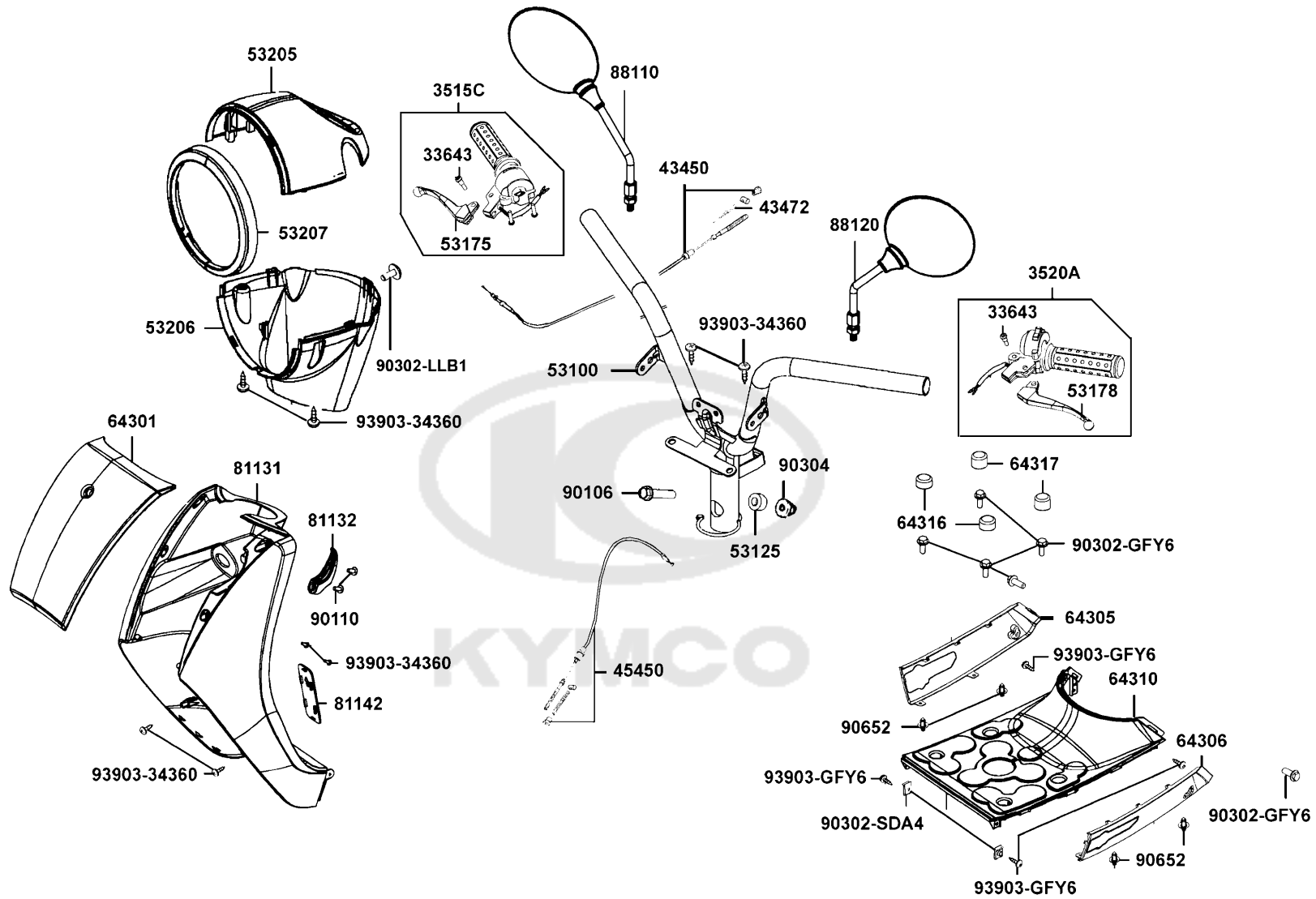
Sales mark 記号	Ref no 参照用番号	Part no パーツ番号	Description 部品名	Reg description 部品名	Regd no 必要個数	Ref Price 希望小売価 格(税抜)
						F02
31800		31800-LGD8-B20	CHARGER ASSY	CHARGER ASSY(廃盤の為新部品「31800-	1	
32100		32100-LGD8-B20	HARNESS WIRE	HARNESS WIRE	1	28910
32102		32102-LGD8-600	SUB HARNESS A	SUB HARNESS A	1	4120
32103		32103-LGD8-700	SUB HARNESS A	SUB HARNESS A	1	3240
3262A		3262A-LGD8-800	SOCKET CHARGER ASSY	SOCKET CHARGER ASSY	1	2580
35010		35010-LGD8-B20	KEY SET ASSY	KEY SET ASSY	1	7760
35101		35101-LGD8-305-M2	KEY SET	KEY SET	1	3170
35102		35102-LGD8-900	COLLAR..MAIN SW	COLLAR..MAIN SW	1	350
36000		36000-LGD8-B20	ELEC CONTROLLER UNIT	ELEC CONTROLLER UNIT	1	46510
38110		38110-LBA8-E0B	HORN COMP	HORN COMP	1	1370
38200		38200-KHE7-900	BOX COMP FUSE	BOX COMP FUSE	1	300
38300		38300-LEA5-E0A	RELAY ASSY WINKER	RELAY ASSY WINKER	1	2290
53129		53129-LGD8-900	PLATE HANDL LOCK	PLATE HANDL LOCK	1	520
77240		77240-LGD8-900	CABLE SEAT LOCK	CABLE SEAT LOCK	1	490
90164		90164-0H28-900	SCREW FLAT U LOCK 6*12	SCREW FLAT U LOCK 6*12	2	60
90302		90302-GFY6-901	BOLT WASH 5*12 **(1) C.V.	BOLT WASH 5*12 **(1) C.V.	2	60
90656		90656-KCBC-900	BAND OIL HANDLE	BAND OIL HANDLE	11	60
93500		93500-05016-0F	SCREW PAN 5*16	SCREW PAN 5*16	1	200
94001		94001-05080-0S	NUT HEX 5MM	NUT HEX 5MM	2	60
94050		94050-05080	NUT FLANGE 5MM	NUT FLANGE 5MM	2	200

Sales mark 記号	Ref no 参照用番号	Part no パーツ番号	Description 部品名	Reg description 部品名	Regd no 必要個数	Ref Price 希望小売価格(税抜)	F02
94111	94111-05800	94111-05800	WASHER SPRING 5MM	WASHER SPRING 5MM	2	60	
95701	95701-06012-06	95701-06012-06	BOLT FLANGE 6*22 (K)	BOLT FLANGE 6*22 (K)	1	60	
98200-30500	98200-30500	98200-30500	BLADE FUSE 5A	BLADE FUSE 5A	3	110	
98200-31000	98200-31000	98200-31000	BLADE FUSE 40A	BLADE FUSE 40A	3	110	



F03

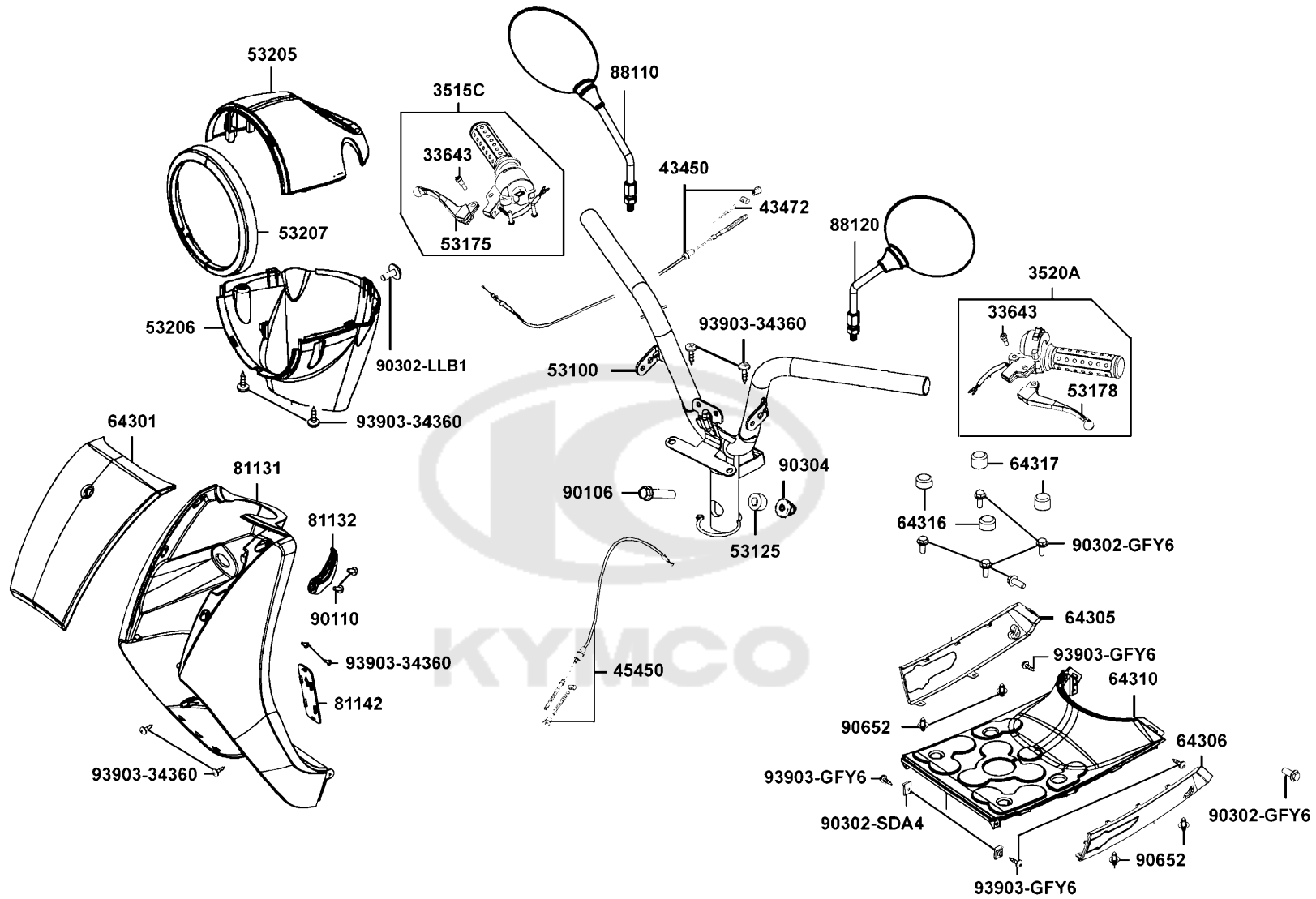
Front Cover Floor Panet



Sales mark 記号	Ref no 参照用番号	Part no パーツ番号	Description 部品名	Reg description 部品名	Regd no 必要個数	Ref Price 希望小売価格(税抜)	F03
	33643	33643-LGD8-900	SCREW NUT PACKING 5*22	SCREW NUT PACKING 5*22	2	300	
	3515C	3515C-LGD8-700	GRIP & SW RH HANDLE	GRIP & SW RH HANDLE	1	17030	
	3520A	3520A-LGD8-B20	SW ASSY LH HANDLE COMP	SW ASSY LH HANDLE COMP	1	10820	
	43450	43450-LGD8-900	CABLE COMP .RR BRK	CABLE COMP .RR BRK	1	1340	
	43472	43472-LGD8-900	SPG .RR BRK	SPG .RR BRK	1	200	
	45450	45450-LGD8-900	CABLE COMP .FR BRK	CABLE COMP .FR BRK	1	1150	
	53100	53100-LGD8-910	HANDLE COMP..STRG	HANDLE COMP..STRG	1	9510	
	53125	53125-GEN5-901	COLLAR HANDLE SET	COLLAR HANDLE SET	1	390	
**	53175	53175-LGD8-900	HANDLE R LEVER	HANDLE R LEVER	1	1060	
**	53178	53178-LGD8-900	HANDLE L LEVER	HANDLE L LEVER	1	1060	
**	53205	53205-LGD8-900	COVER HANDLE UP	COVER HANDLE UP	1	1510	
**	53206	53206-LGD8-900	COVER HANDLE LOW	COVER HANDLE LOW	1	1820	
**	53207	53207-LGD8-910	COVER HEAD LIGHT	COVER HEAD LIGHT	1	3240	
**	64301	64301-LGD8-900	COVER FR	COVER FR	1	2080	
**	64305	64305-LGD8-600	SKIRT R SIDE	SKIRT R SIDE	1	710	
**	64306	64306-LGD8-600	SKIRT L SIDE	SKIRT L SIDE	1	710	
**	64310	64310-LGD8-900	FLOOR PANEL	FLOOR PANEL	1	1530	
**	64316	64316-LGD8-900	PLUG FR FLOOR	PLUG FR FLOOR	2	110	
**	64317	64317-LGD8-900	PLUG RR FLOOR	PLUG RR FLOOR	2	110	
**	81131	81131-LGD8-900	LEG SHIELD	LEG SHIELD	1	4000	

F03

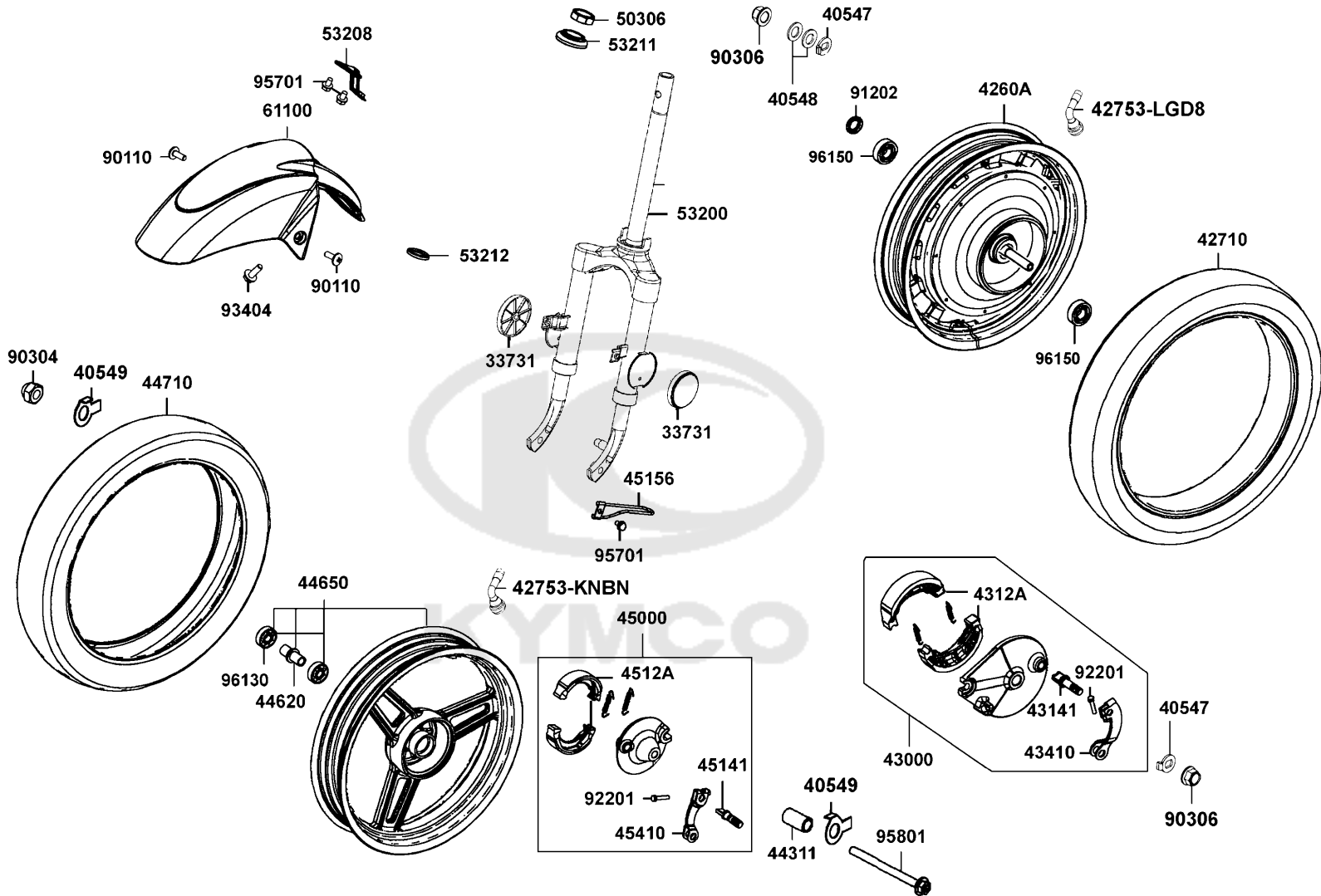
Front Cover Floor Panet



Sales mark 記号	Ref no 参照用番号	Part no パーツ番号	Description 部品名	Reg description 部品名	Regd no 必要個数	Ref Price 希望小売価格(税抜)	F03
**	81132	81132-LFG6-900	HOOK LUGGAGE	HOOK LUGGAGE	1	160	
**	81142	81142-KUDU-900	LID LEG SHIELD	LID LEG SHIELD	1	200	
	88110	88110-LGD8-910	MIRROR ASSY R BACK	MIRROR ASSY R BACK	1	3150	
	88120	88120-LGD8-910	MIRROR ASSY L BACK	MIRROR ASSY L BACK	1	3150	
	90106	90106-GEN5-901	BOLT FLANGE 10*50	BOLT FLANGE 10*50	1	80	
	90110	90110-GLW0-001	SCREW SPECIAL 6*14	SCREW SPECIAL 6*14	1	200	
	90302-GFY6	90302-GFY6-901	BOLT WASH 5*12 *(1) C.V.	BOLT WASH 5*12 *(1) C.V.	6	60	
	90302-LLB1	90302-LLB1-E00	BOLT-WASHER 5*12	BOLT-WASHER 5*12	1	60	
	90302-SDA4	90302-SDA4-004	NUT SPRING 4MM	NUT SPRING 4MM	2	60	
	90304	90304-GLW0-90A	NUT CAP 6MM	NUT CAP 6MM	1	200	
	90652	90652-LFB5-900	CLIP MUDGUARD	CLIP MUDGUARD	4	60	
	93903-34360	93903-34360	SCREW WASHER 4*12	SCREW WASHER 4*12	10	60	
	93903-GFY6	93903-GFY6-900	SCREW WASHER 4*12	SCREW WASHER 4*12	4	60	

F04

Front Wheel Rear Wheel

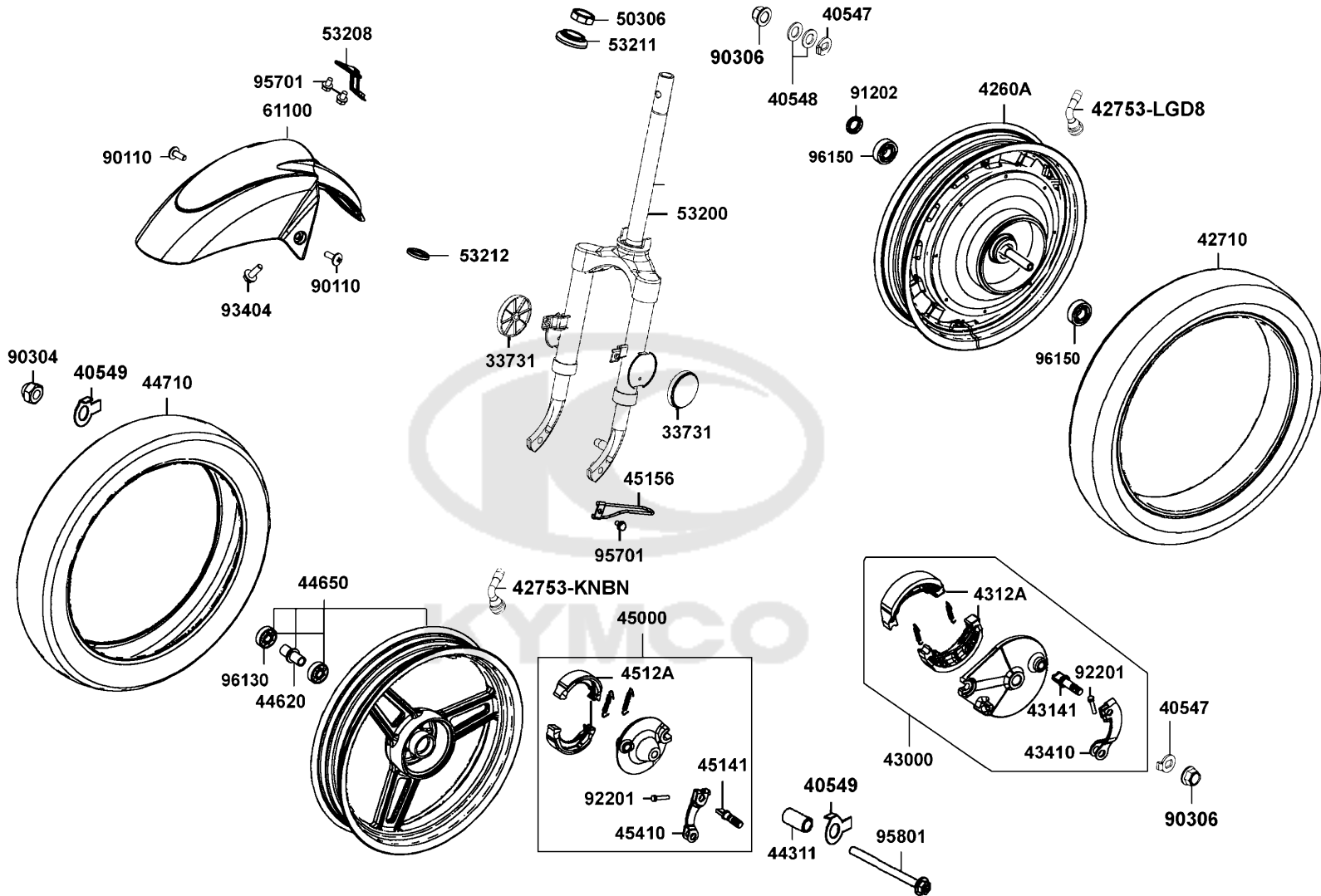


Sales mark 記号	Ref no 参照用番号	Part no パーツ番号	Description 部品名	Reg description 部品名	Regd no 必要個数	Ref Price 希望小売価格(税抜)
	33731	33731-LGD8-700	REFLEX REFLECTOR SIDE	REFLEX REFLECTOR SIDE	2	870
	40547	40547-LGD8-900	WASHER .RR WHEEL LOCK	WASHER .RR WHEEL LOCK	2	130
	40548	40548-LGD8-900	WASHER . RR WHEEL	WASHER . RR WHEEL	2	70
	40549	40549-LGD8-900	WASHER NUT LOCK	WASHER NUT LOCK	2	200
	4260A	4260A-LGD8-700	RIM SET RR WHEEL /D414	RIM SET RR WHEEL /D414	1	90000
	42710	42710-LGD8-700	TIRE ASSY 80/70-12	TIRE ASSY 80/70-12	1	6450
	42753-KNBN	42753-KNBN-90B	VALAE RIM (TR412)	VALAE RIM (TR412)	1	630
	42753-LGD8	42753-LGD8-900	VALVE (PVR-70) & A'V CAP	VALVE (PVR-70) & A'V CAP	1	580
**	43000	43000-LGD8-B20	PANEL ASSY RR BRK	PANEL ASSY RR BRK	1	9580
	4312A	4312A-LGM9-900	SHOE ASSY RR BRAKE	SHOE ASSY RR BRAKE	1	2300
	43141	43141-GLR0-001	CAM RR BRK	CAM RR BRK	1	680
	43410	43410-LGD8-900	ARM .RR BRK	ARM .RR BRK	1	730
	44311	44311-LGD8-800	SIDE COLLAR .FR	SIDE COLLAR .FR	1	390
	44620	44620-LGD8-910	DIST COLLAR .FR	DIST COLLAR .FR	1	160
	44650	44650-LGD8-305	WHEEL SET FR	WHEEL SET FR	1	17590
	44710	44710-LGD8-700	TIRE ASSY 80/70-12	TIRE ASSY 80/70-12	1	6510
**	45000	45000-LGD8-900	PANEL ASSY LH.FR	PANEL ASSY LH.FR	1	7040
	4512A	4512A-LGD8-900	SHOE ASSY FR	SHOE ASSY FR	1	2600
	45141	45141-LGD8-900	CAM .FR BRK	CAM .FR BRK	1	1060
	45156	45156-LGD8-900	CLAMPER FR BRK CABLE	CLAMPER FR BRK CABLE	1	490

F04

F04

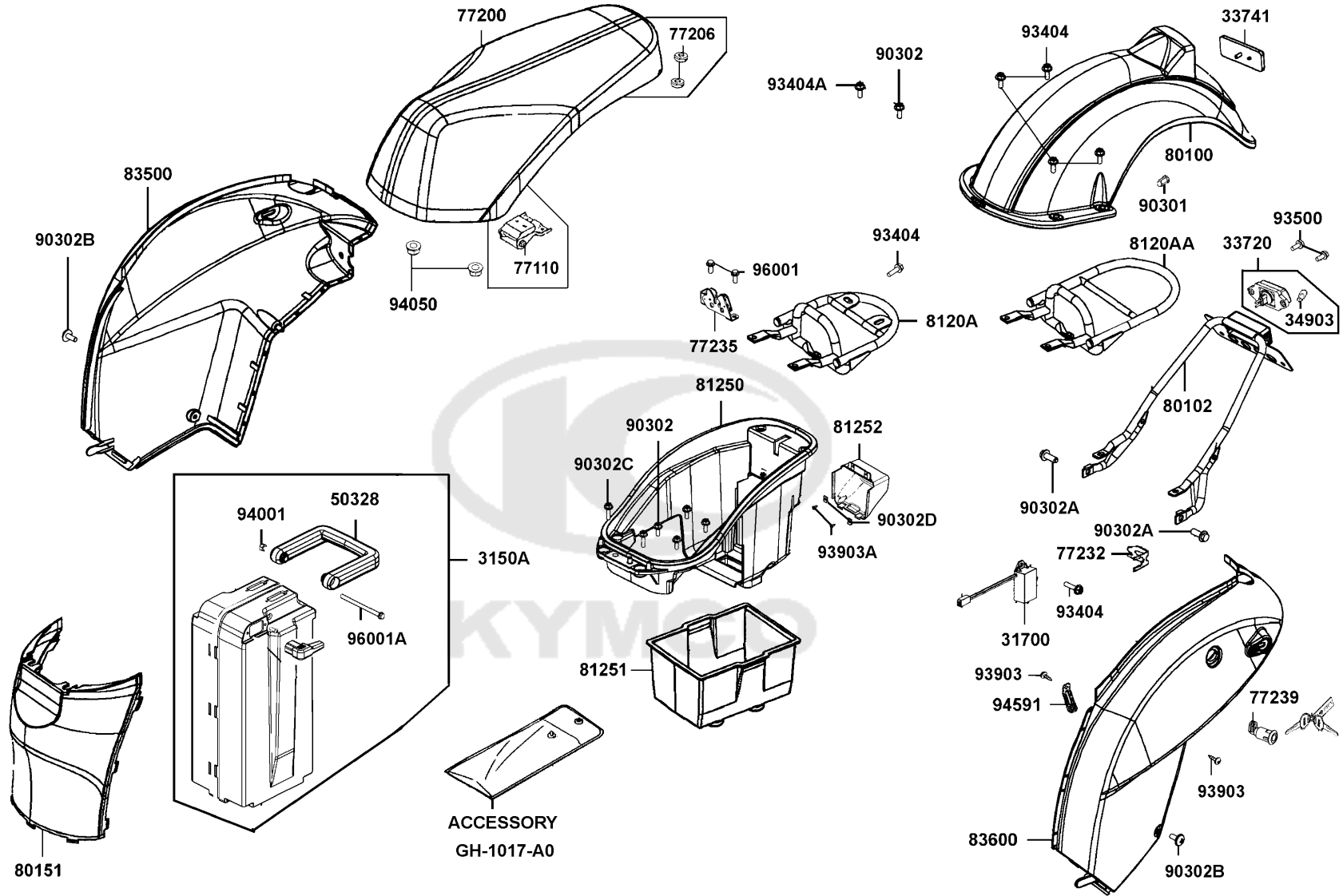
Front Wheel Rear Wheel



Sales mark 記号	Ref no 参照用番号	Part no パーツ番号	Description 部品名	Reg description 部品名	Regd no 必要個数	Ref Price 希望小売価格(税抜)	F04
	45410	45410-LGD8-900	ARM .FR BRK	ARM .FR BRK	1	960	
	50306	50306-1F96-001	NUT STRG STEM LOCK	NUT STRG STEM LOCK	1	300	
	53200	53200-LGD8-700	STEM COMP STRG	STEM COMP STRG	1	20450	
	53208	53208-LGD8-900	STAY .FR FENDER	STAY .FR FENDER	1	300	
	53211	53211-LGD8-900	RACE STRG .TOP CONE	RACE STRG .TOP CONE	1	320	
	53212	53212-LGD8-900	RACE STRG .BOTTOM CONE	RACE STRG .BOTTOM CONE	1	200	
**	61100	61100-LGD8-900	FENDER FR	FENDER FR	1	2580	
	90110	90110-KEB7-900	SCREW SPECIAL 6*14	SCREW SPECIAL 6*14	2	130	
	90304	90304-GLW0-90A	NUT CAP 6MM	NUT CAP 6MM	1	200	
	90306	90306-LGD8-900	HEX NUT U 18MM	HEX NUT U 18MM	2	1460	
	91202	91202-KNBN-92B	OIL SEAL 20*31*7	OIL SEAL 20*31*7	1	130	
	92201	92201-05025-0G	BOLT HEX 5*25	BOLT HEX 5*25	1	200	
	93404	93404-06012-06	BOLT WASHER 6*12 (G)	BOLT WASHER 6*12 (G)	1	200	
	95701	95701-06008-06	BOLT FLANGE 6*8	BOLT FLANGE 6*8	3	60	
	95801	95801-10150-06	BOLT FLANGE 10*150	BOLT FLANGE 10*150	1	510	
	96130	96130-62000-10	BEARING RAD 6200Z	BEARING RAD 6200Z	2	770	
	96150	96150-60040-10	BEARING BALL RADIAL 6004	BEARING BALL RADIAL 6004	2	1630	

F05

Body Cover Luggage Box

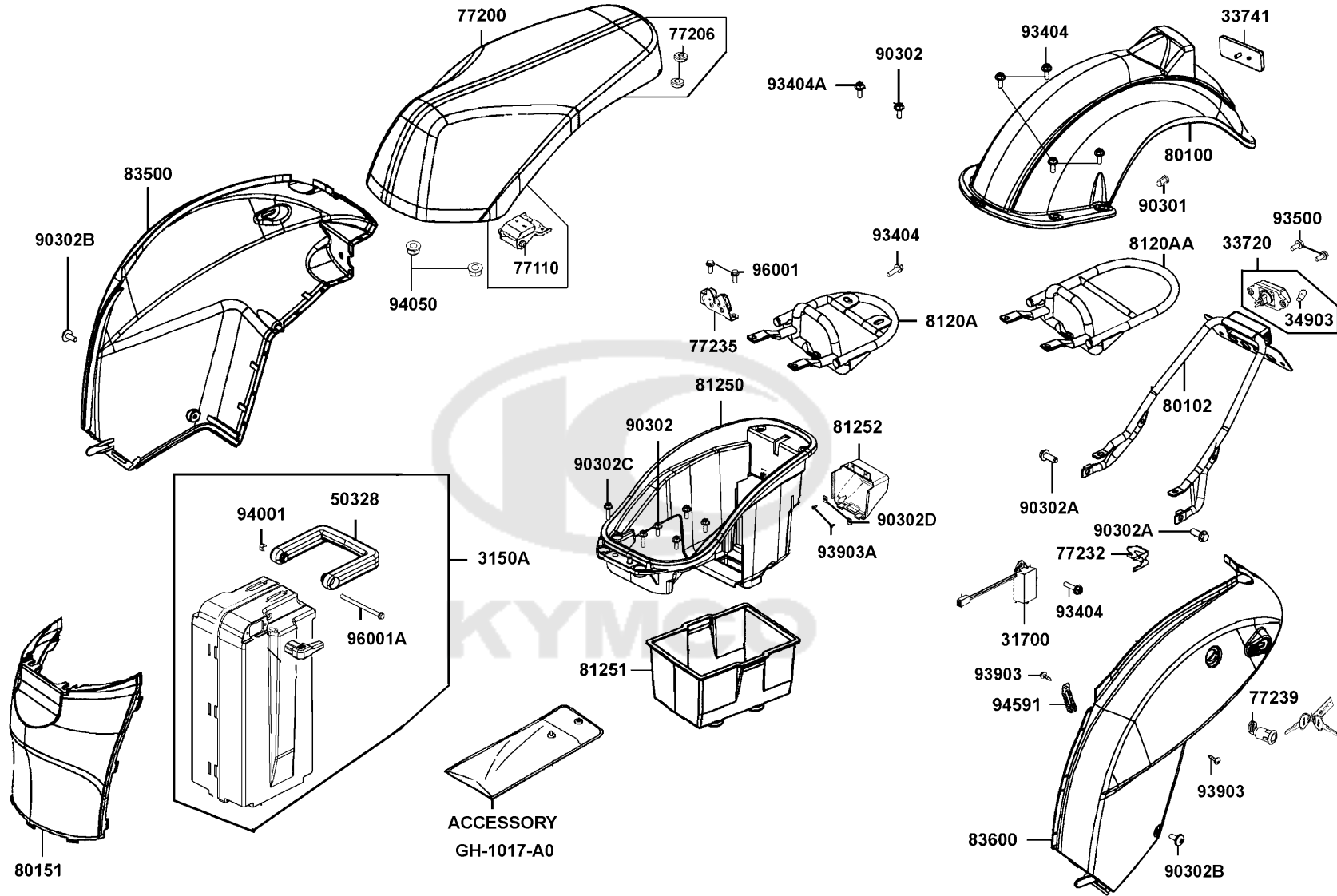


Sales mark 記号	Ref no 参照用番号	Part no パーツ番号	Description 部品名	Reg description 部品名	Regd no 必要個数	Ref Price 希望小売価格(税抜)
	3150A	3150A-LGD8-B20	BATTERY ASSY	BATTERY ASSY(廃盤の為新部品「3150A-	1	
	31700	31700-LGD8-700	DC/DC CONVERTER. ASSY	DC/DC CONVERTER. ASSY	1	18940
	33720	33720-LGD8-700	LIGHT ASSY LICENSE	LIGHT ASSY LICENSE	1	2290
	33741	33741-LKC6-E00	REFLEX REFLECTOR	REFLEX REFLECTOR	1	680
	34903	34903-KPCP-900	BULB POSITION LIGHT 12V5W **KCP-	BULB POSITION LIGHT 12V5W **KCP-9000	1	320
**	50328	50328-LGD8-900	GRIP BATT CASE	GRIP BATT CASE	1	320
	77110	77110-LBC6-900	HINGE COMP SEAT	HINGE COMP SEAT	1	770
**	77200	77200-LGD8-600	SEAT ASSY.	SEAT ASSY.	1	10650
	77206	77206-KGBG-900	RUBBER SEAT CUSHION	RUBBER SEAT CUSHION	2	160
	77232	77232-KCAC-901	SET SPG SEAT LOCK	SET SPG SEAT LOCK	1	390
	77235	77235-LEA1-900	CATCH COMP SEAT	CATCH COMP SEAT	1	2100
	77239	77239-GFY6-315-M2	KEY SEAT COMP	KEY SEAT COMP	1	1150
**	80100	80100-LGD8-910	FENDER RR TIRE	FENDER RR TIRE	1	3910
	80102	80102-LGD8-700	STAY NO. PLATE	STAY NO. PLATE	1	4810
**	80151	80151-LGD8-900	COVER. CENTER	COVER. CENTER	1	1340
	8120A	8120A-LGD8-900	CARRIER ASSY.RR.	CARRIER ASSY.RR.	1	6380
	8120AA	8120A-LGD8-B21	CARRIER ASSY RR	CARRIER ASSY RR	1	
	81250	81250-LGD8-910	BOX.LUGGAGE	BOX.LUGGAGE	1	2860
	81251	81251-LGD8-900	COVER UNDER BATTERY	COVER UNDER BATTERY	1	960
	81252	81252-LGD8-910	CASE LUGGAGE END	CASE LUGGAGE END	1	420

F05

F05

Body Cover Luggage Box

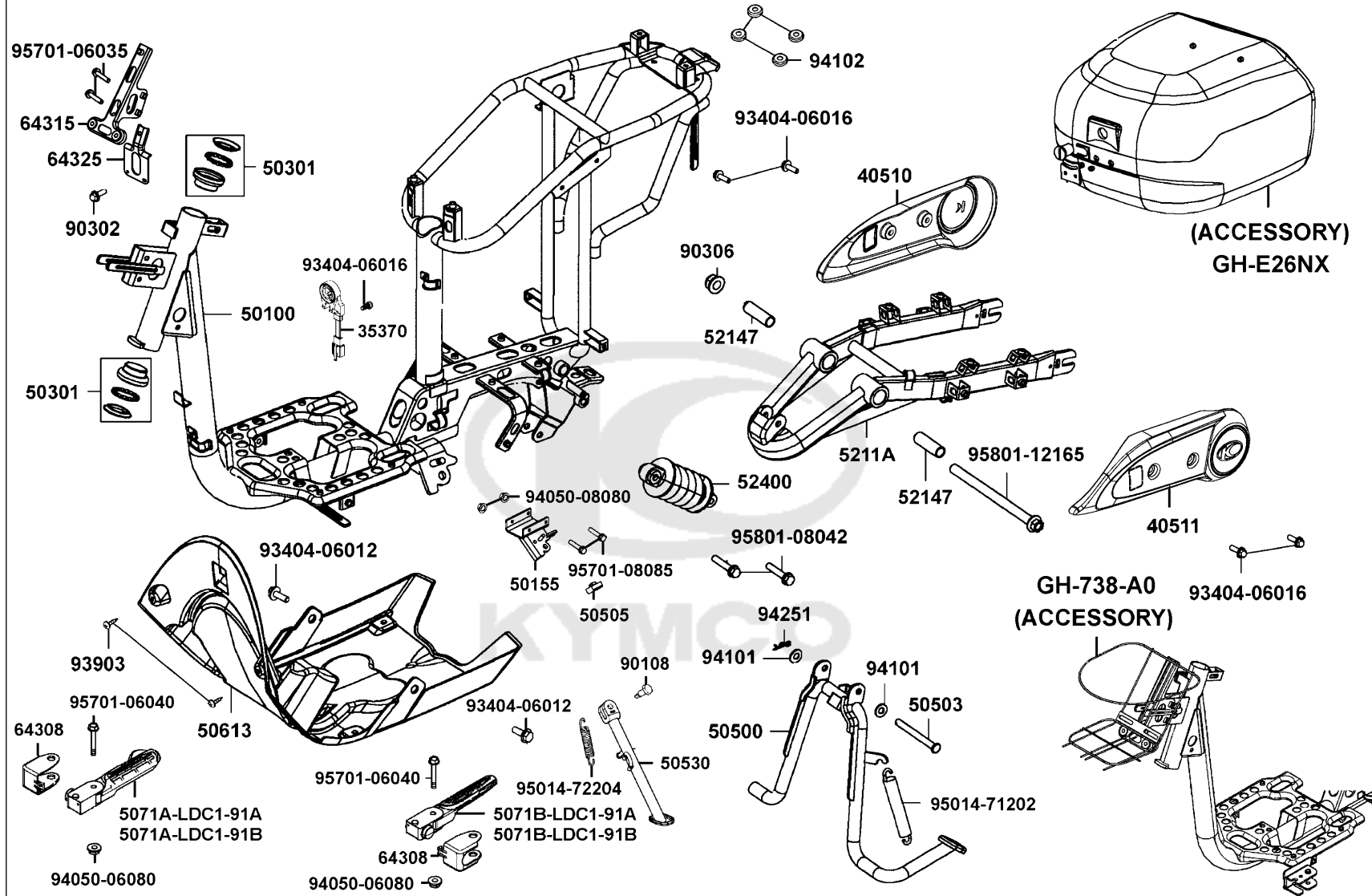


Sales mark 記号	Ref no 参照用番号	Part no パーツ番号	Description 部品名	Reg description 部品名	Regd no 必要個数	Ref Price 希望小売価格(税抜)
**	83500	83500-LGD8-900	COVER SET R BODY	COVER SET R BODY	1	8370
**	83600	83600-LGD8-900	COVER SET L BODY	COVER SET L BODY	1	8370
	90301	90301-LGD8-900	NUT 4MM CAP	NUT 4MM CAP	1	200
	90302	90302-GFY6-901	BOLT WASH 5*12 *(1) C.V.	BOLT WASH 5*12 *(1) C.V.	5	60
	90302A	90302-GFY6-940	BOLT-WASH 5*16	BOLT-WASH 5*16	2	60
	90302B	90302-LLB1-E00	BOLT-WASHER 5*12	BOLT-WASHER 5*12	2	60
	90302C	90302-PWA1-900	BOLT-WASH 5*16	BOLT-WASH 5*16	2	60
	90302D	90302-SDA4-004	NUT SPRING 4MM	NUT SPRING 4MM	2	60
	93404	93404-06012-06	BOLT WASHER 6*12 (G)	BOLT WASHER 6*12 (G)	6	200
	93404A	93404-06016-06	BOLT WASHER 6*16	BOLT WASHER 6*16	1	60
	93500	93500-04014-0F	SCREW PAN 4*14 (G)	SCREW PAN 4*14 (G)	1	200
	93903	93903-34360	SCREW WASHER 4*12	SCREW WASHER 4*12	2	60
	93903A	93903-GFY6-900	SCREW WASH 4*12	SCREW WASH 4*12	2	60
	94001	94001-06000-0S	NUT HEX 6MM	NUT HEX 6MM	1	60
	94050	94050-06080	NUT FLANGE 6MM	NUT FLANGE 6MM	2	60
	94591	94591-21000	CLIP 2*100	CLIP 2*100	1	110
	96001	96001-06012-06	BOLT FLANGE SH 6*12	BOLT FLANGE SH 6*12	2	60
	96001A	96001-LGD8-900	BOLT FLANGE 6*100	BOLT FLANGE 6*100	1	210

F05

F06

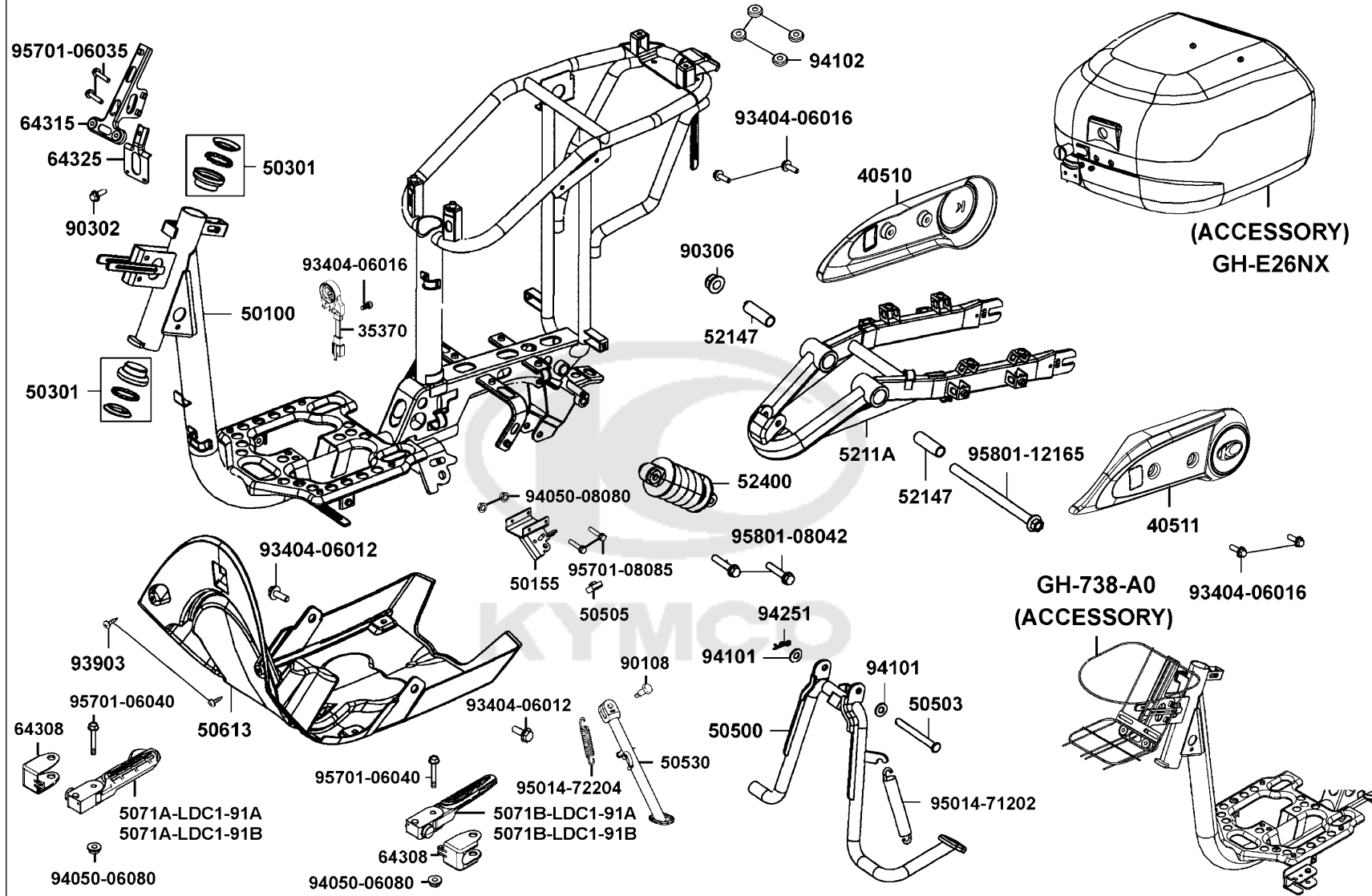
Frame Body



Sales mark 記号	Ref no 参照用番号	Part no パーツ番号	Description 部品名	Reg description 部品名	Regd no 必要個数	Ref Price 希望小売価格(税抜)	F06
	35370	35370-LGD8-600	SIDE STAND SW ASSY	SIDE STAND SW ASSY	1	4480	
**	40510	40510-LGD8-910	COVER.R CHAIN	COVER.R CHAIN	1	770	
**	40511	40511-LGD8-910	COVER.L CHAIN	COVER.L CHAIN	1	770	
	50100	50100-LGD8-B20	BODY COMP FRAME	BODY COMP FRAME	1	48540	
	50155	50155-LGD8-600	BRACKET SIDE STAND	BRACKET SIDE STAND	1	2860	
	50301	50301-LGD8-900	RACE STEERING BALL	RACE. STEERING BALL	2	680	
	50500	50500-LGD8-900	STAND COMP..MAIN	STAND COMP..MAIN	1	3930	
	50503	50503-LGD8-900	SHAFT.MAIN STAND	SHAFT.MAIN STAND	1	580	
	50505	50505-KUDU-900	STOPPER RUBBER STAND	STOPPER RUBBER STAND	1	160	
	50530	50530-LGD8-600	SIDE STAND COMP	SIDE STAND COMP	1	1910	
**	50613	50613-LGD8-900	COVER UNDER	COVER UNDER	1	1720	
	5071A-LDC1-91A	5071A-LDC1-91A	BAR STEP R ASSY	BAR STEP R ASSY	1	2770	
	5071A-LDC1-91B	5071A-LDC1-91B	BAR STEP R ASSY	BAR STEP R ASSY	1	2770	
	5071B-LDC1-91A	5071B-LDC1-91A	BAR STEP L ASSY	BAR STEP L ASSY	1	2770	
	5071B-LDC1-91B	5071B-LDC1-91B	BAR STEP L ASSY	BAR STEP L ASSY	1	2770	
	5211A	5211A-LGD8-B20	FORK ASSY REAR	FORK ASSY REAR	1	20840	
	52147	52147-LGD8-900	BUSH RR FORK PIVOT	BUSH RR FORK PIVOT	2	1280	
	52400	52400-LGD8-900	CUSHION ASSY .RR	CUSHION ASSY .RR	1	13690	
	64308	64308-LGD8-900	LID BAR STEP	LID BAR STEP	2	4570	
	64315	64315-LGD8-910	STAY FR COVER	STAY FR COVER	1	1970	

F06

Frame Body



Sales mark 記号	Ref no 参照用番号	Part no パーツ番号	Description 部品名	Reg description 部品名	Regd no 必要個数	Ref Price 希望小売価格(税抜)
64325	64325-LGD8-B20	64325-LGD8-B20	STAY HORN	STAY HORN	1	540
90108	90108-KKC4-900	90108-KKC4-900	SCREW SIDE STAND PIVOT	SCREW SIDE STAND PIVOT	1	390
90302	90302-LLB1-E00	90302-LLB1-E00	BOLT-WASHER 5*12	BOLT-WASHER 5*12	1	60
90306	90306-LFE2-900	90306-LFE2-900	NUT FLANGE 12MM	NUT FLANGE 12MM	1	320
93404-06012	93404-06012-06	93404-06012-06	BOLT WASHER 6*12 (G)	BOLT WASHER 6*12 (G)	2	200
93404-06016	93404-06016-06	93404-06016-06	BOLT WASHER 6*16	BOLT WASHER 6*16	5	60
93903	93903-34360	93903-34360	SCREW WASHER 4*12	SCREW WASHER 4*12	2	60
94050-06080	94050-06080	94050-06080	NUT FLANGE 6MM	NUT FLANGE 6MM	2	60
94050-08080	94050-08080	94050-08080	NUT FLANGE 8MM	NUT FLANGE 8MM	2	60
94101	94101-08800	94101-08800	WASHER PLAIN 8MM	WASHER PLAIN 8MM	2	160
94102	94102-10600	94102-10600	WASHER PLAIN 10MM	WASHER PLAIN 10MM	4	200
94251	94251-08400	94251-08400	PIN LOCK 8MM	PIN LOCK 8MM	1	160
95014-71202	95014-71202	95014-71202	SPG B MAIN STAND	SPG B MAIN STAND	1	200
95014-72204	95014-72204	95014-72204	SPG B1 SIDE STAND	SPG B1 SIDE STAND	1	300
95701-06035	95701-06035-06	95701-06035-06	BOLT FLANGE 6*35	BOLT FLANGE 6*35	1	60
95701-06040	95701-06040-08G	95701-06040-08G	BOLT FLANGE 6*40	BOLT FLANGE 6*40	2	200
95701-08085	95701-08085-06	95701-08085-06	BOLT FLANGE 8*85 (G)	BOLT FLANGE 8*85 (G)	1	390
95801-08042	95801-08042-06	95801-08042-06	BOLT FLANGE 8*42	BOLT FLANGE 8*42	2	70
95801-12165	95801-12165-06	95801-12165-06	BOLT FLANGE 12*165(G)	BOLT FLANGE 12*165(G)	1	920

F06



87505



87502

Sales mark 記号	Ref no 参照用番号	Part no パーツ番号	Description 部品名	Reg description 部品名	Regd no 必要個数	Ref Price 希望小売価格(税抜)
------------------	-----------------	------------------	--------------------	------------------------	-----------------	-------------------------

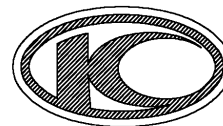
F07

**	87502	87502-LGD8-B20	LABEL BATTERY	LABEL BATTERY	1	210
**	87505	87505-LGD8-B20	LABEL TIRE	LABEL TIRE	1	130

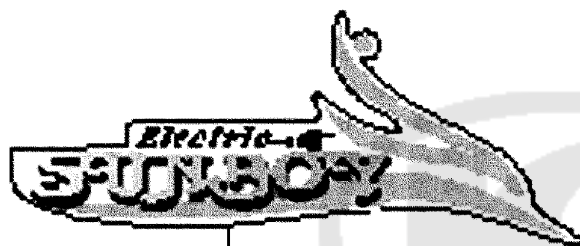


最大積載量 3kg

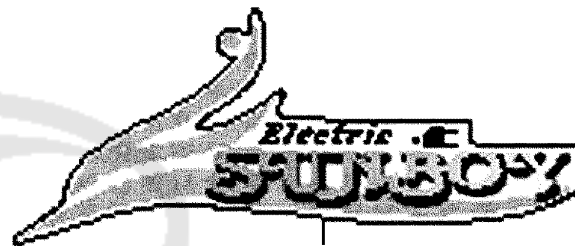
87556



86102



86221



86231



86732



86733



87140

Sales mark 記号	Ref no 参照用番号	Part no パーツ番号	Description 部品名	Reg description 部品名	Regd no 必要個数	Ref Price 希望小売価格(税抜)	F08
**	86102	86102-LAB4-900	EMB K-LOGO 24MM	EMB K-LOGO 24MM	1	390	
**	86221	86221-LGD8-B20	STRIPE R BODY COVER	STRIPE R BODY COVER	1	1440	
**	86231	86231-LGD8-B20	STRIPE L BODY COVER	STRIPE L BODY COVER	1	1440	
**	86732	86732-LGD8-B20	STRIPE R LEG SHIELD	STRIPE R LEG SHIELD	1	970	
**	86733	86733-LGD8-B20	STRIPE L LEG SHIELD	STRIPE L LEG SHIELD	1	970	
**	87140	87140-LGD8-B20	STRIPE KYMCO	STRIPE KYMCO	1	350	
**	87556	87556-LGD8-B20	MAX LOAD CAUTION (3kg)	MAX LOAD CAUTION (3kg)	1	110	



PART NO. INDEX
 パーツ番号 検索

PART NO. パーツ番号	VERSION バージョン	PAGE ページ	PART NO. パーツ番号	VERSION バージョン	PAGE ページ	PART NO. パーツ番号	VERSION バージョン	PAGE ページ
31000			33700-LGD8-900	6	F01	37000		
			33702-LLB1-900	0	F01			
			33710-LLB1-900	0	F01			
3150A-LGD8-B20	3	F05	33720-LGD8-700	7	F05	37200-LGD8-B20	0	F01
31700-LGD8-700	1	F05	33731-LGD8-700	0	F04			
31800-LGD8-B20	0	F02	33741-LKC6-E00	1	F05	38000		
32000			34000			38110-LBA8-E0B	3	F02
						38200-KHE7-900	0	F02
32100-LGD8-B20	1	F02	34901-KKA8-900	1	F01	38300-LEA5-E0A	1	F02
32102-LGD8-600	2	F02	34903-KPCP-900	0	F05			
32103-LGD8-700	1	F02	34905-KPCP-900	0	F01	40000		
3262A-LGD8-800	3	F02	34906-KPCP-900	0	F01			
33000			35000			40510-LGD8-910	4	F06
						40511-LGD8-910	4	F06
33100-LGD8-700	5	F01	35010-LGD8-B20	1	F02	40547-LGD8-900	4	F04
33101-LGD8-910	5	F01	35101-LGD8-305-M2	0	F02	40548-LGD8-900	4	F04
33106-LEA2-900	0	F01	35102-LGD8-900	0	F02	40549-LGD8-900	0	F04
33400-LGD8-700	1	F01	3515C-LGD8-700	6	F03	42000		
33402-KEB7-900	0	F01	3520A-LGD8-B20	5	F03			
33450-LGD8-700	1	F01	35370-LGD8-600	4	F06	4260A-LGD8-700	7	F04
33452-KEB7-900	0	F01				42710-LGD8-700	2	F04
33600-LGD8-900	7	F01	36000			42753-KNBN-90B	1	F04
33643-LGD8-900	0	F03				42753-LGD8-900	0	F04
33650-LGD8-900	5	F01	36000-LGD8-B20	4	F02			

PART NO. INDEX
 パーツ番号 検索

PART NO. パーツ番号	VERSION バージョン	PAGE ページ	PART NO. パーツ番号	VERSION バージョン	PAGE ページ	PART NO. パーツ番号	VERSION バージョン	PAGE ページ
43000			50000			53000		
43000-LGD8-B20	1	F04	50100-LGD8-B20	3	F06	53100-LGD8-910	2	F03
4312A-LGM9-900	0	F04	50155-LGD8-600	2	F06	53125-GEN5-901	0	F03
43141-GLR0-001	2	F04	50301-LGD8-900	2	F06	53129-LGD8-900	3	F02
43410-LGD8-900	1	F04	50306-1F96-001	0	F04	53175-LGD8-900	0	F03
43450-LGD8-900	6	F03	50328-LGD8-900	1	F05	53178-LGD8-900	0	F03
43472-LGD8-900	2	F03	50500-LGD8-900	9	F06	53200-LGD8-700	5	F04
			50503-LGD8-900	0	F06	53205-LGD8-900	2	F03
44000			50505-KUDU-900	1	F06	53206-LGD8-900	1	F03
			50530-LGD8-600	1	F06	53207-LGD8-910	2	F03
44311-LGD8-800	0	F04	50613-LGD8-900	1	F06	53208-LGD8-900	1	F04
44620-LGD8-910	1	F04	5071A-LDC1-91A	1	F06	53211-LGD8-900	2	F04
44650-LGD8-305	0	F04	5071A-LDC1-91B	1	F06	53212-LGD8-900	2	F04
44710-LGD8-700	2	F04	5071B-LDC1-91A	1	F06			
			5071B-LDC1-91B	1	F06	61000		
45000			52000			61100-LGD8-900	0	F04
45000-LGD8-900	8	F04				64000		
4512A-LGD8-900	2	F04	5211A-LGD8-B20	0	F06			
45141-LGD8-900	2	F04	52147-LGD8-900	1	F06	64301-LGD8-900	2	F03
45156-LGD8-900	1	F04	52400-LGD8-900	8	F06	64305-LGD8-600	1	F03
45410-LGD8-900	3	F04				64306-LGD8-600	1	F03
45450-LGD8-900	7	F03				64308-LGD8-900	2	F06

PART NO. INDEX
 パーツ番号 検索

PART NO. パーツ番号	VERSION バージョン	PAGE ページ	PART NO. パーツ番号	VERSION バージョン	PAGE ページ	PART NO. パーツ番号	VERSION バージョン	PAGE ページ
64310-LGD8-900	2	F03	81142-KUDU-900	1	F03			
64315-LGD8-910	2	F06	8120A-LGD8-900	3	F05	88000		
64316-LGD8-900	1	F03	8120A-LGD8-B21	2	F05			
64317-LGD8-900	1	F03	81250-LGD8-910	3	F05	88110-LGD8-910	1	F03
64325-LGD8-B20	1	F06	81251-LGD8-900	2	F05	88120-LGD8-910	1	F03
			81252-LGD8-910	4	F05			
77000						90000		
			83000					
77110-LBC6-900	1	F05				90106-GEN5-901	1	F03
77200-LGD8-600	1	F05	83500-LGD8-900	3	F05	90108-KKC4-900	1	F06
77206-KGBG-900	0	F05	83600-LGD8-900	3	F05	90110-GLW0-001	0	F03
77232-KCAC-901	2	F05				90110-KEB7-900	1	F04
77235-LEA1-900	7	F05	86000			90164-0H28-900	2	F02
77239-GFY6-315-M2	0	F05				90301-LGD8-900	1	F01
77240-LGD8-900	2	F02	86102-LAB4-900	2	F08	90301-LGD8-900	1	F05
			86221-LGD8-B20	0	F08	90302-GFY6-901	1	F01
80000			86231-LGD8-B20	0	F08	90302-GFY6-901	1	F02
			86732-LGD8-B20	2	F08	90302-GFY6-901	1	F03
80100-LGD8-910	3	F05	86733-LGD8-B20	2	F08	90302-GFY6-901	1	F05
80102-LGD8-700	7	F05				90302-GFY6-940	1	F05
80151-LGD8-900	1	F05	87000			90302-LLB1-E00	2	F03
						90302-LLB1-E00	2	F05
81000			87140-LGD8-B20	2	F08	90302-LLB1-E00	2	F06
			87502-LGD8-B20	2	F07	90302-PWA1-900	2	F05
81131-LGD8-900	5	F03	87505-LGD8-B20	0	F07	90302-SDA4-004	3	F03
81132-LFG6-900	2	F03	87556-LGD8-B20	0	F08	90302-SDA4-004	3	F05

PART NO. INDEX

パーツ番号 検索

PART NO. パーツ番号	VERSION バージョン	PAGE ページ	PART NO. パーツ番号	VERSION バージョン	PAGE ページ	PART NO. パーツ番号	VERSION バージョン	PAGE ページ
90304-GLW0-90A	1	F03	93903-34360	0	F05	95701-06008-06	1	F04
90304-GLW0-90A	1	F04	93903-34360	0	F06	95701-06012-06	1	F02
90306-LFE2-900	1	F06	93903-GFY6-900	1	F03	95701-06035-06	1	F06
90306-LGD8-900	1	F04	93903-GFY6-900	1	F05	95701-06040-08G	0	F06
90652-LFB5-900	3	F03				95701-08085-06	0	F06
90656-KCBC-900	0	F02	94000			95801-08042-06	0	F06
91000			94001-05080-0S	0	F02	95801-10150-06	0	F04
			94001-06000-0S	0	F05	95801-12165-06	3	F06
91202-KNBN-92B	0	F04	94050-05080	0	F01	96000		
92000			94050-05080	0	F02			
			94050-06080	0	F01	96001-06012-06	0	F05
			94050-06080	0	F05	96001-LGD8-900	2	F05
92201-05025-0G	0	F04	94050-06080	0	F06	96130-62000-10	0	F04
93000			94050-08080	0	F06	96150-60040-10	0	F04
			94101-05700	0	F01			
			94101-08800	0	F06	98000		
93404-06012-06	0	F04	94102-10600	0	F06			
93404-06012-06	0	F05	94111-05800	0	F02	98200-30500	0	F02
93404-06012-06	0	F06	94251-08400	0	F06	98200-31000	1	F02
93404-06016-06	0	F05	94591-21000	0	F05			
93404-06016-06	0	F06						
93500-04014-0F	0	F05	95000					
93500-05016-0F	0	F02						
93903-34360	0	F01	95014-71202	0	F06			
93903-34360	0	F03	95014-72204	0	F06			