

PARTS CATALOGUE



SCOOTERS

KD10SE(JP)

Agility50 (注意)



Release Date : 2017/03/02
Print Date : 2017/07/18

本パーツリストについて

- 本パーツリストは KD10SE(JP).の全てのパーツ番号が記載されています。
- 車輻のカラーチャートとバイクに相違がある場合は正規販売店もしくはKYMCO JAPANへお問い合わせください。
- 1. "***"記号が記載している場合、3文字の色コードをパーツ番号の最後に記入してください。
2. "#" 記号が記載している場合、パーツの設定、変更があります。正規販売店もしくはKYMCO JAPANへお問い合わせください。
- このパーツリストの変更または追加は、適切な時期に予告なく行われます。

ABOUT THIS PARTS LIST

- This parts list is compiled all service parts for model KD10SE(JP).
- Any difference between color chart and motorcycle will be revised according to motorcycle.
- The Mark:
 1. Marking "***" must add color code in the end before ordering parts.
 2. Marking "#" are parts with modification, Please find the details from e-Parts system.
- When modification or additions to this parts list are made a revised edition at an appropriate time.

目次

● 本パーツリストについて	1
● KD10SE(JP)のカラーチャート	3
● 目次-エンジン関	5
● 目次-フレーム関係	6
● エンジンパーツリスト	9
● フレームパーツリスト	39
● パーツ番号 検索	83

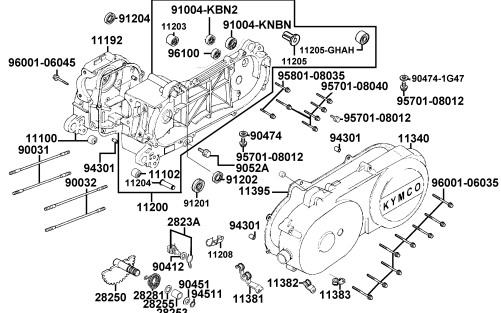
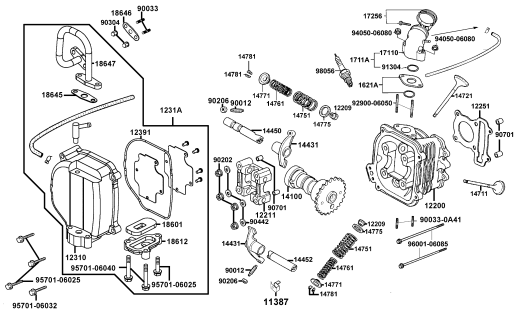
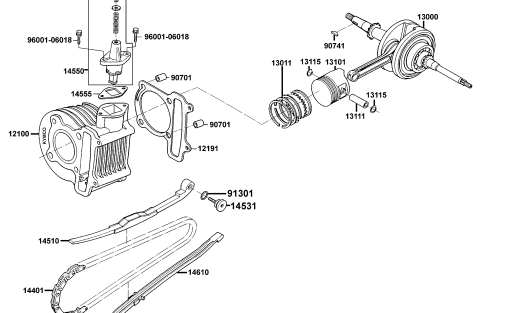
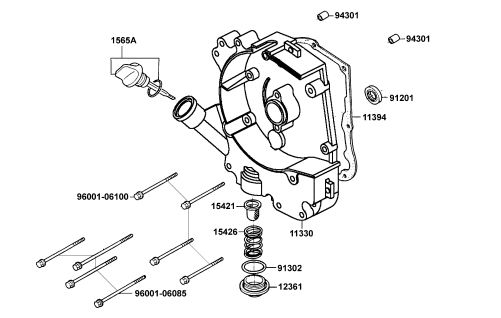
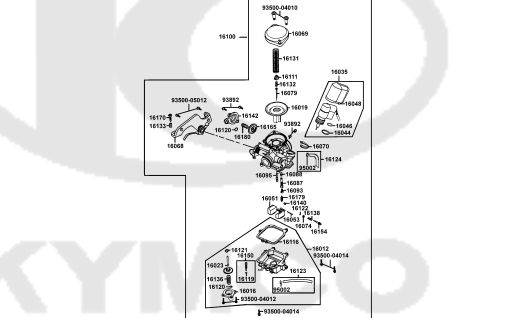
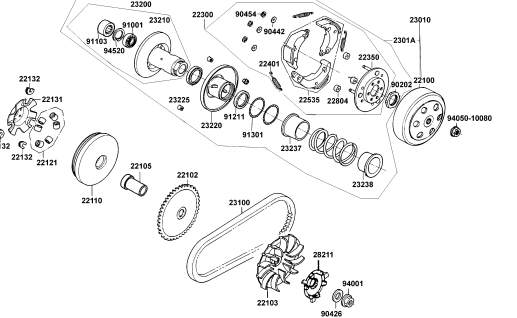
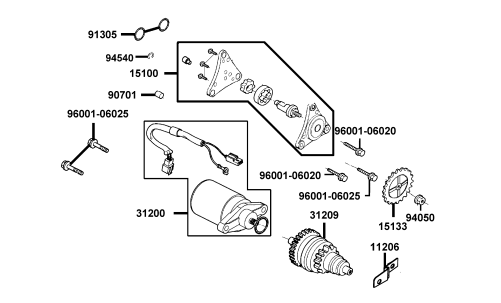
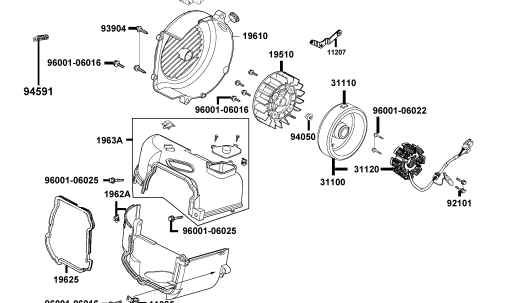
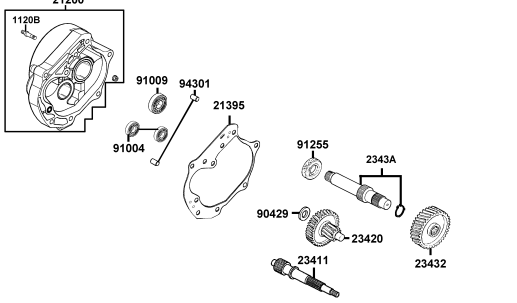
CONTENTS

● ABOUT THIS PARTS LIST	1
● COLOR CHART OF KD10SE(JP)	3
● CONTENTS-ENGINE GROUP	5
● CONTENTS-FRAME GROUP	6
● ENGINE PARTS LIST	9
● FRAME PARTS LIST	39
● PART NO. INDEX	83

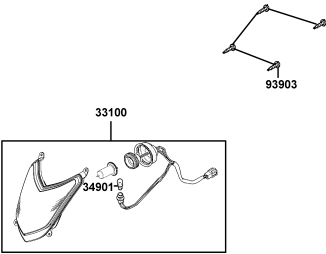
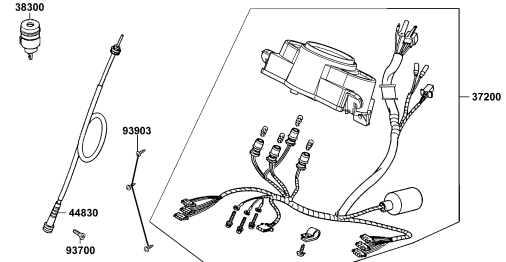
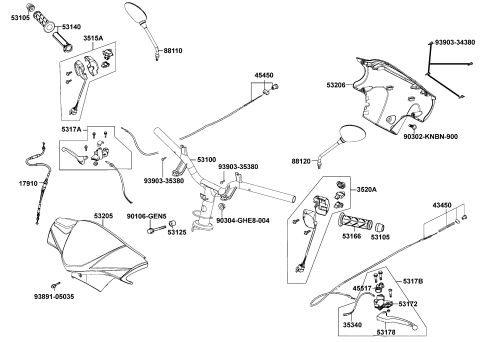
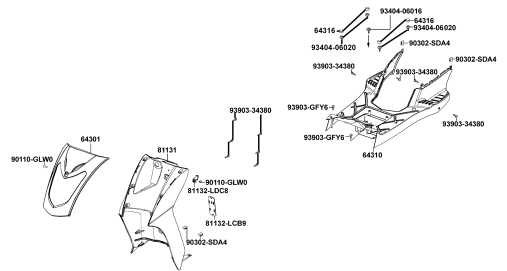
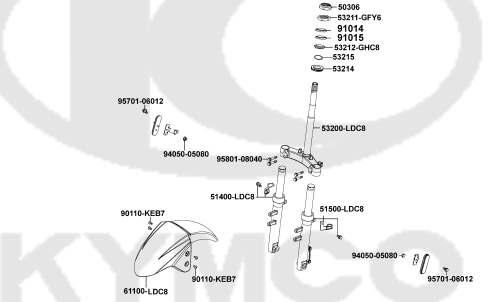
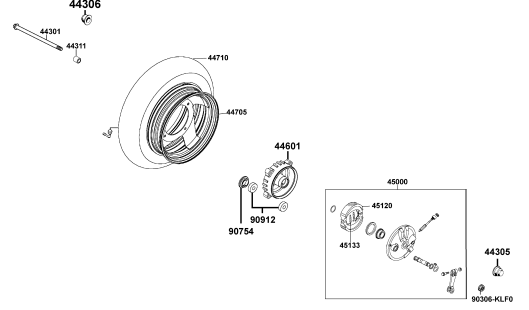
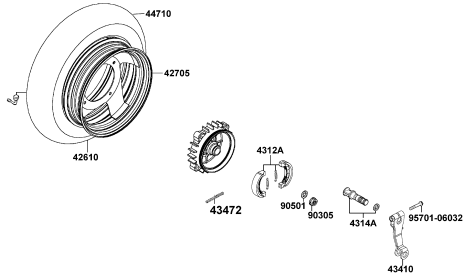
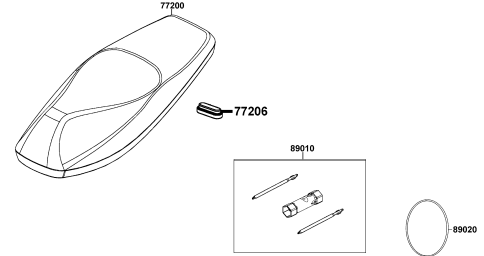
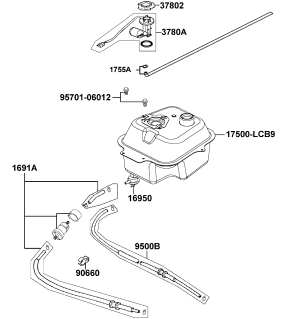
NO	モデル			KD10SE(JP)のカラーチャート			
	写真番号			NO. 1	NO. 2	NO. 3	NO. 4
	基本色						
	コード			Bright Blue	Black	Bright Silver	Ruby Red
	パーツ名	パーツ番号	バージョン	PB107CA	NH001SA	NH045MA	RR004CA
1	COVER FR HANDLE	53205-LCB9-C10	0	BAP	N1P	N8P	R1P
2	FENDER FR	61100-LCB9-C10	0				
3	COVER FR	64301-LCB9-C10	0				
4	COVER R BODY	83500-LDF6-B20	0				
5	COVER L BODY	83600-LDF6-B20	0				
6	COVER BATTERY	50326-LCB9-C10	0	N1R			
7	COVER UNDER	50613-LDF6-B20	0				
8	GRIP COMP. THROT	53140-KNBN-C00	1				
9	GRIP L. HANDLE	53166-KNBN-C00	1				
10	COVE RHANDLE RR	53206-LCB9-C10	0				
11	PANEL FLOOR	64310-LCB9-C10	0				
12	PLUG FLOOR	64316-LCB9-C10	5				
13	FENDER RR TIRE	80100-LDF6-B20	1				
14	FENDER RR INNER	80101-LCB9-C10	1				
15	FENDER RR	80105-LCB9-C10	0				
16	COVER CENTER	80151-LCB9-C10	0				
17	LEG SHIELD	81131-LCB9-C10	0				
18	LID LEG SHIELD	81132-LCB9-C10	1				
19	HOOK LUGGAGE	81132-LDC8-E10	1				
20	BOX LUGGAGE	81250-LCB9-C10	2				
21	COVER COMP L SIDE	11340-KGBG-C00	0	N8A			
22	WHEEL ASSY FR HUB	42705-KHC4-900	0	NJA			
23	WHEEL ASSY FR HUB	44705-KHC4-900	0				
24	SEAT ASSY	77200-LDF7-E10	0	T01			
25	STRIPE BODY COVER	86202-LDC8-E10	0				
販売開始時期							
販売終了時期							

NO	モデル			KD10SE(JP)のカラーチャート			
	写真番号			NO. 1	NO. 2	NO. 3	NO. 4
	基本色						
	コード			Bright Blue	Black	Bright Silver	Ruby Red
	パーツ名	パーツ番号	バージョン	PB107CA	NH001SA	NH045MA	RR004CA
26	STRIPE R MARK	87311-LAD9-C00	0	T01			
27	LABEL TIRE	87505-KGBG-C00	0				
28	CAUTION SIDE STAND	87541-GAR1-C01	1				
29	MARK MAINT CAUTION	87542-GAR1-C01	2				
30	STRIPE GRAB RR	87556-LEJ2-E00	2				
31	MARK DRIVE CAUTION	87560-GFY6-E11	3				
32	STRIPE R LEG SHIELD	86732-LDC8-E10	0	T02	T03		T01
33	STRIPE L LEG SHIELD	86733-LDC8-E10	0	YAS			
34	CUSHION ASSY REAR	52400-KHC4-900	1				
販売開始時期							
販売終了時期							

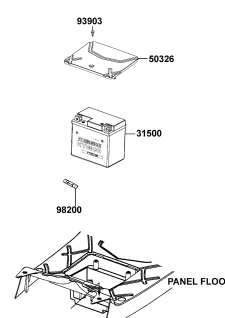
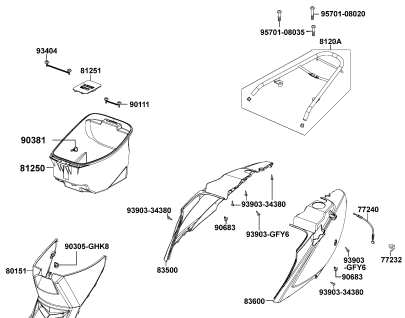
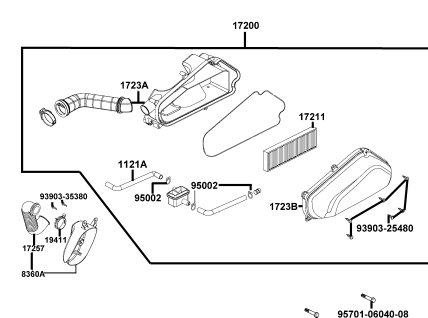
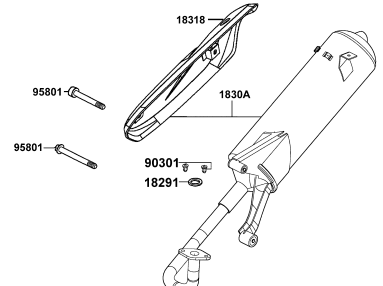
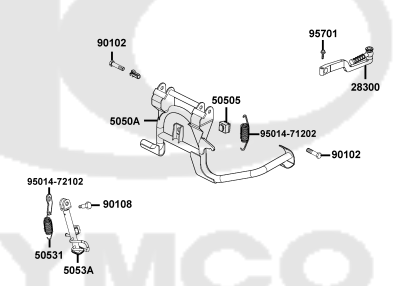
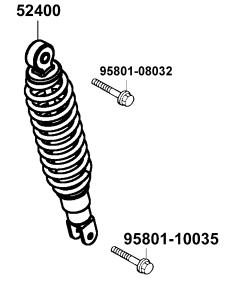
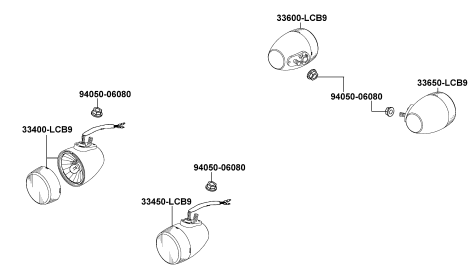
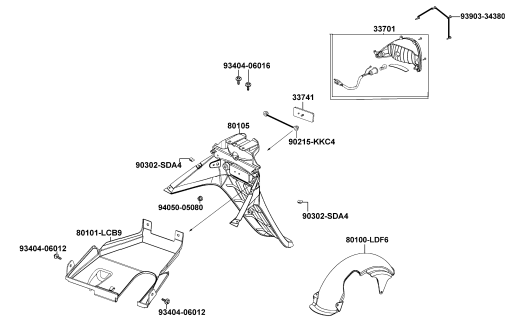
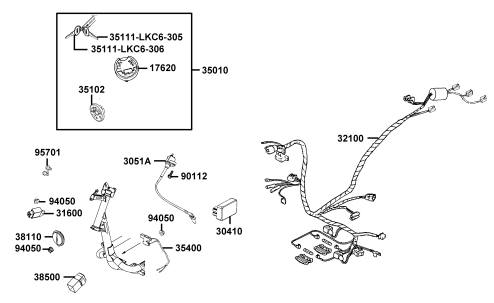
CONTENTS - ENGINE GROUP 目次-エンジン関

<p>E01 Crank Case</p> 	<p>E02 COVER COMP</p> 	<p>E03 Cylinder Piston Crankshaft</p> 
<p>E04 Right Crankcase Cover</p> 	<p>E05 Carburetor</p> 	<p>E06 Driven Pulley</p> 
<p>E07 Starting Motor Oil Pump</p> 	<p>E08 Fan Cover Generator</p> 	<p>E09 Transmission</p> 

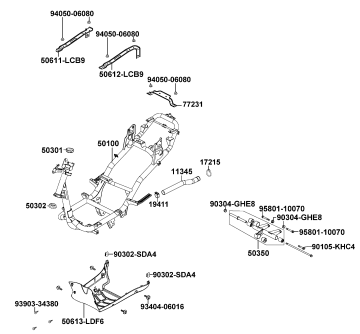
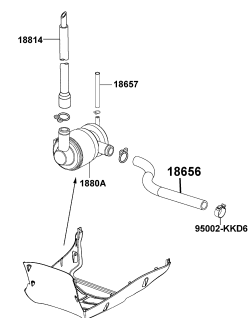
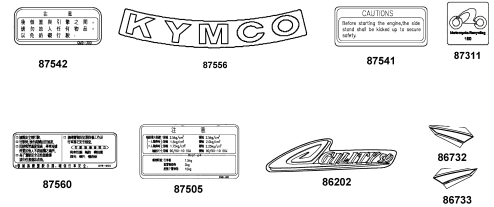

CONTENTS - FRAME GROUP 目次-フレーム関係

<p>F01 Head Light</p> 	<p>F02 Speedometer</p> 	<p>F03 CABLE HNDL LEVER</p> 
<p>F04 COVER FR PANEL FLOOR</p> 	<p>F05 Stem Steering Front Cushion</p> 	<p>F06 Front Wheel</p> 
<p>F07 Rear Wheel</p> 	<p>F08 Seat</p> 	<p>F09 Fuel Tank</p> 

CONTENTS - FRAME GROUP 目次-フレーム関係

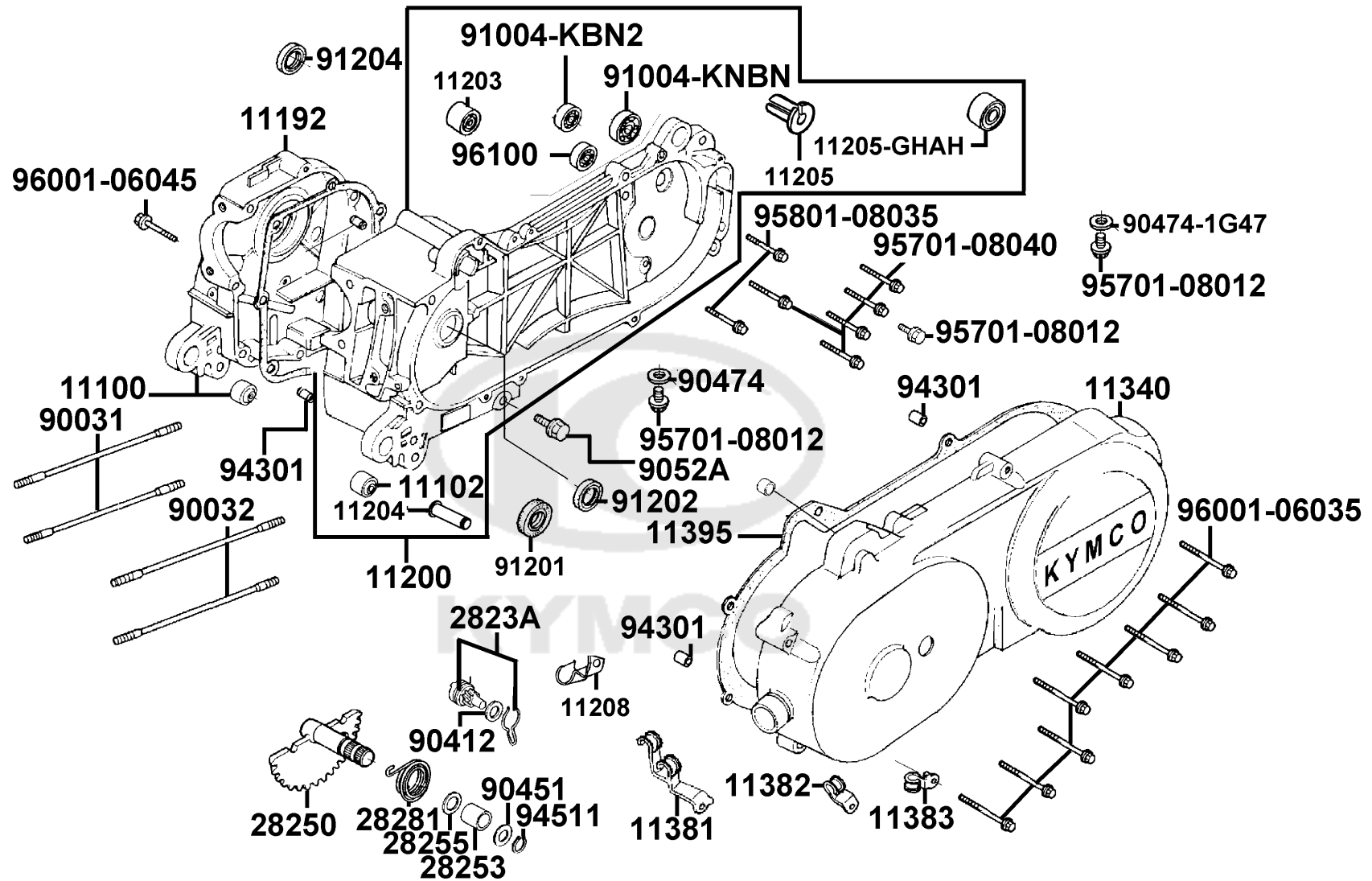
<p>F10 Battery</p> 	<p>F11 Body Cover Luggage Box</p> 	<p>F12 Air Cleaner</p> 
<p>F13 Exhaust Muffler</p> 	<p>F14 Stand Kick Starter Arm</p> 	<p>F15 Rear Cushion</p> 
<p>F16 Winker</p> 	<p>F17 Stay Fender</p> 	<p>F18 Wire Harness</p> 

CONTENTS - FRAME GROUP 目次-フレーム関係

F19 Frame Body	F20 AI/C-AICV ASSY	F21 Emblem Stripe
		
		

E01

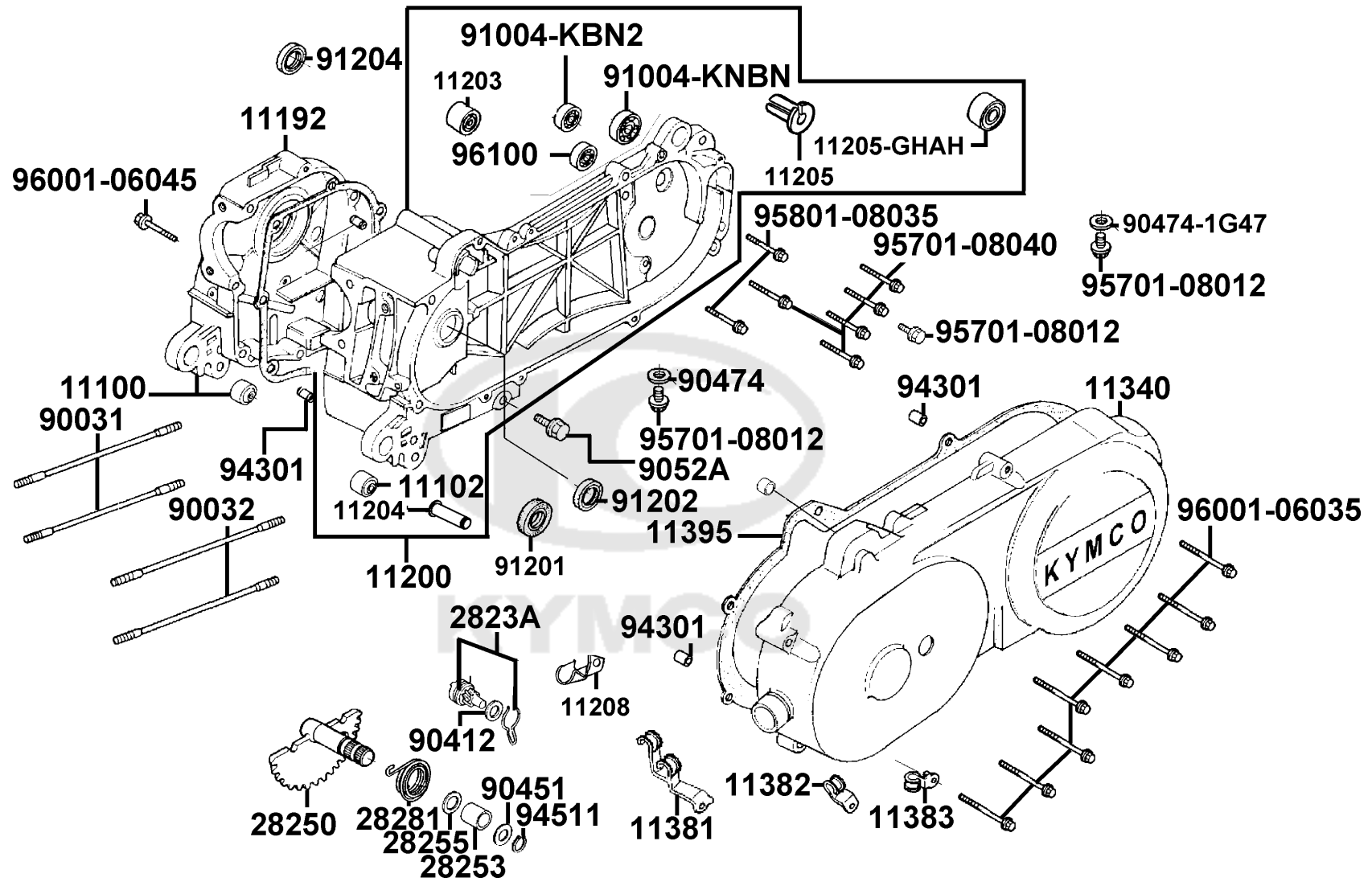
Crank Case



Sales mark 記号	Ref no 参照用番号	Part no パーツ番号	Description 部品名	Reg description 部品名	Regd no 必要個数	Ref Price 希望小売価格(税抜)	E01
	11100	11100-KGBG-C00	CRANK CASE COMP.,R	CRANK CASE COMP.,R	1	18650	
	11102	11102-1G87-C00	RUB BUSH ENG HANGER	RUB BUSH ENG HANGER	1	400	
	11192	11192-KGBG-E90	"GASKET,CRANK CASE@A"	"GASKET,CRANK CASE@A"	1	520	
	11200	11200-KGBG-C00	F ? ? O? ?/CK50QT-5	CRANK CASE SET L/CK50QT-5	1	26540	
	11203	11203-GGC7-W10	UNDER RUBBER BUSH REAR CUSHION	UNDER RUBBER BUSH REAR CUSHION	1	280	
	11204	11204-KNBN-C00	PIN SPG HOOK	PIN SPG HOOK	1	500	
	11205-GHAH	11205-GHAH-C00	BUSH 8*12*8	BUSH 8*12*8	1	130	
	11205-LAB4	11205-LAB4-C00	BUSH M STAND	BUSH M STAND	1	260	
	11208	11208-LBC9-C00	STAY RR TIRE FENDER	STAY RR TIRE FENDER	1	2310	
**	11340	11340-KGBG-C00	COVER COMP L SIDE	COVER COMP L SIDE	1	11390	
	11381	11381-KGBG-C00	CLAMPER THROTTLE CABLE	CLAMPER THROTTLE CABLE	1	450	
	11382	11382-KGBG-C00	CLAMPER BRAKE CABLE	CLAMPER BRAKE CABLE	1	140	
	11383	11383-GFY6-C00	CLAMPER BREATHER	CLAMPER BREATHER	1	100	
	11395	11395-KGBG-C10	GASKET L COVER@A	GASKET L COVER@A	1	1700	
	2823A	2823A-GKAK-W10	GEAR ASSY KICK DRIVEN	GEAR ASSY KICK DRIVEN	1	1820	
	28250	28250-LDF7-E10	SPINDLE COMP KICK STARTER	SPINDLE COMP KICK STARTER	1	1990	
	28253	28253-GBN2-C00	BUSH KICK SPINDLE	BUSH KICK SPINDLE	1	130	
	28255	28255-GFS6-C00	COLLAR KICK BOSS	COLLAR KICK BOSS	1	90	
	28281	28281-GBN2-C00	SPRING KICK RETURN	SPRING KICK RETURN	1	450	
	90031	90031-KGBG-C00	BOLT A STUD 7x168	BOLT A STUD 7x168	1	350	

E01

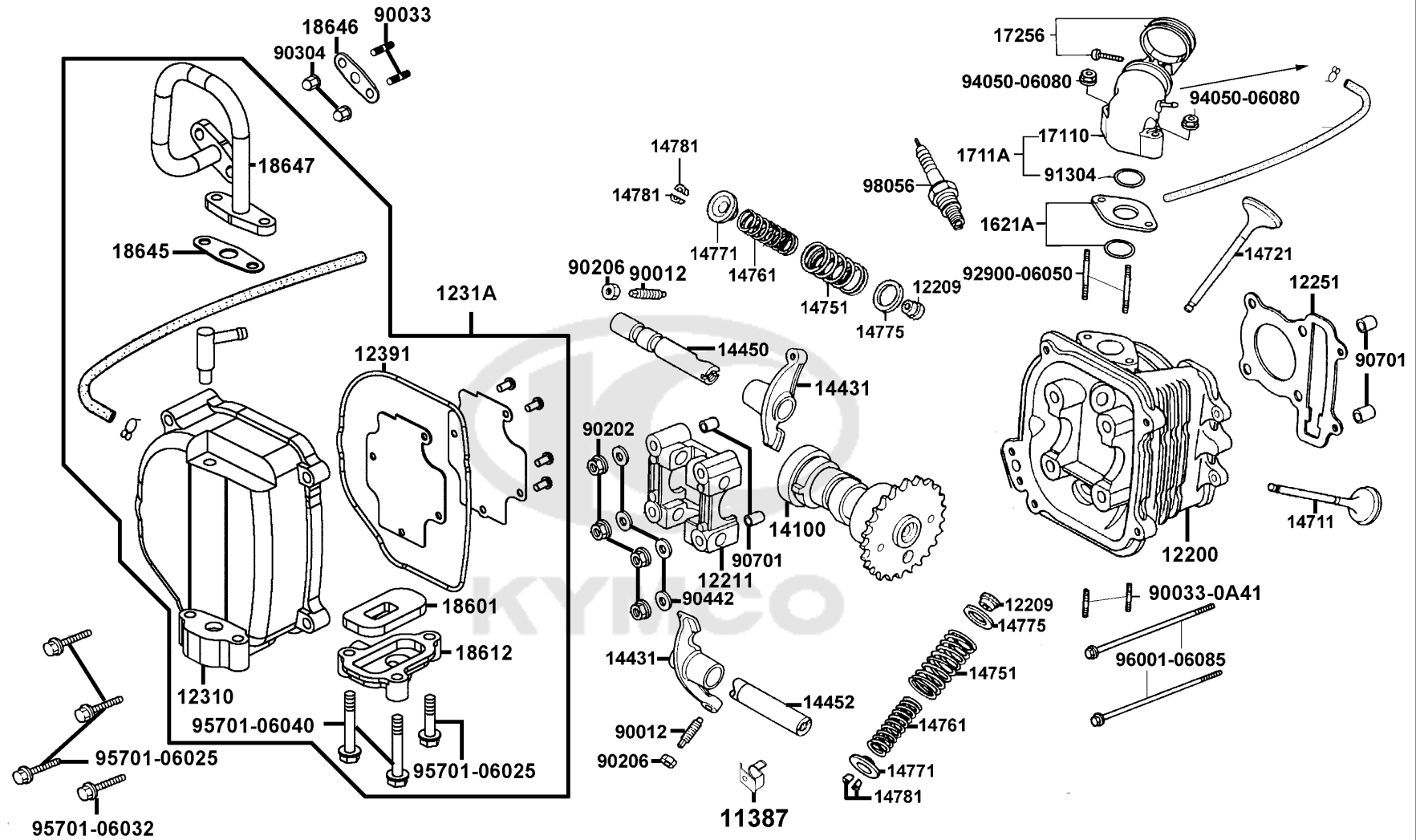
Crank Case



Sales mark 記号	Ref no 参照用番号	Part no パーツ番号	Description 部品名	Reg description 部品名	Regd no 必要個数	Ref Price 希望小売価格(税抜)	E01
90032		90032-KGBG-C00	BOLT B STUD 7*176	BOLT B STUD 7*176	1	400	
90412		90412-3K29-C00	WASHER THRUST 10M/M	WASHER THRUST 10M/M	1	60	
90451		90451-GBN2-C00	WASHER KICK SPINDLE	WASHER KICK SPINDLE	1	70	
90474-1G47		90474-1G47-C00	WASHER 10.5MM	WASHER 10.5MM	1	60	
90474		90474-3C33-C00	WASHER 8MM (T*2)	WASHER 8MM (T*2)	1	60	
9052A		9052A-GFY6-C00	BOLT ASSY DRAIN PLUG	BOLT ASSY DRAIN PLUG	1	260	
91004-KBN2		91004-KBN2-C00	BRG BALL RADIAL 6201	BRG BALL RADIAL 6201	1	2410	
91004-KNBN		91004-KNBN-C00	BRG BALL RADIAL 6203 SPC	BRG BALL RADIAL 6203 SPC	1	2490	
91201		91201-GFY6-C00	OIL SEAL 19.8*30*5	OIL SEAL 19.8*30*5	1	210	
91202		91202-GFY6-C00	OIL SEAL 19.8*30*5	OIL SEAL 19.8*30*5	1	210	
91204		91204-KNBN-C00	OIL SEAL 17*30*6	OIL SEAL 17*30*6	1	940	
94301		94301-08140	DOWEL PIN 8*14	DOWEL PIN 8*14	4	110	
94511		94511-14000	CIR CLIP EX 14	CIR CLIP EX 14	1	110	
95701-08012		95701-08012-08	BOLT FLANGE 8*12	BOLT FLANGE 8*12	2	130	
95701-08040		95701-08040-08	BOLT FLANGE 8*40	BOLT FLANGE 8*40	5	180	
95801		95801-08035-08	BOLT FLANGE 8*35	BOLT FLANGE 8*35	2		
96001-06035		96001-06035-08	BOLT FLANGE SH 6*35 (G)	BOLT FLANGE SH 6*35 (G)	8	40	
96001-06045		96001-06045-08	BOLT FLANGE SH 6*45	BOLT FLANGE SH 6*45	1	130	
96100		96100-62033-00	BEARING BALL RADIAL 6203	BEARING BALL RADIAL 6203	1	960	

E02

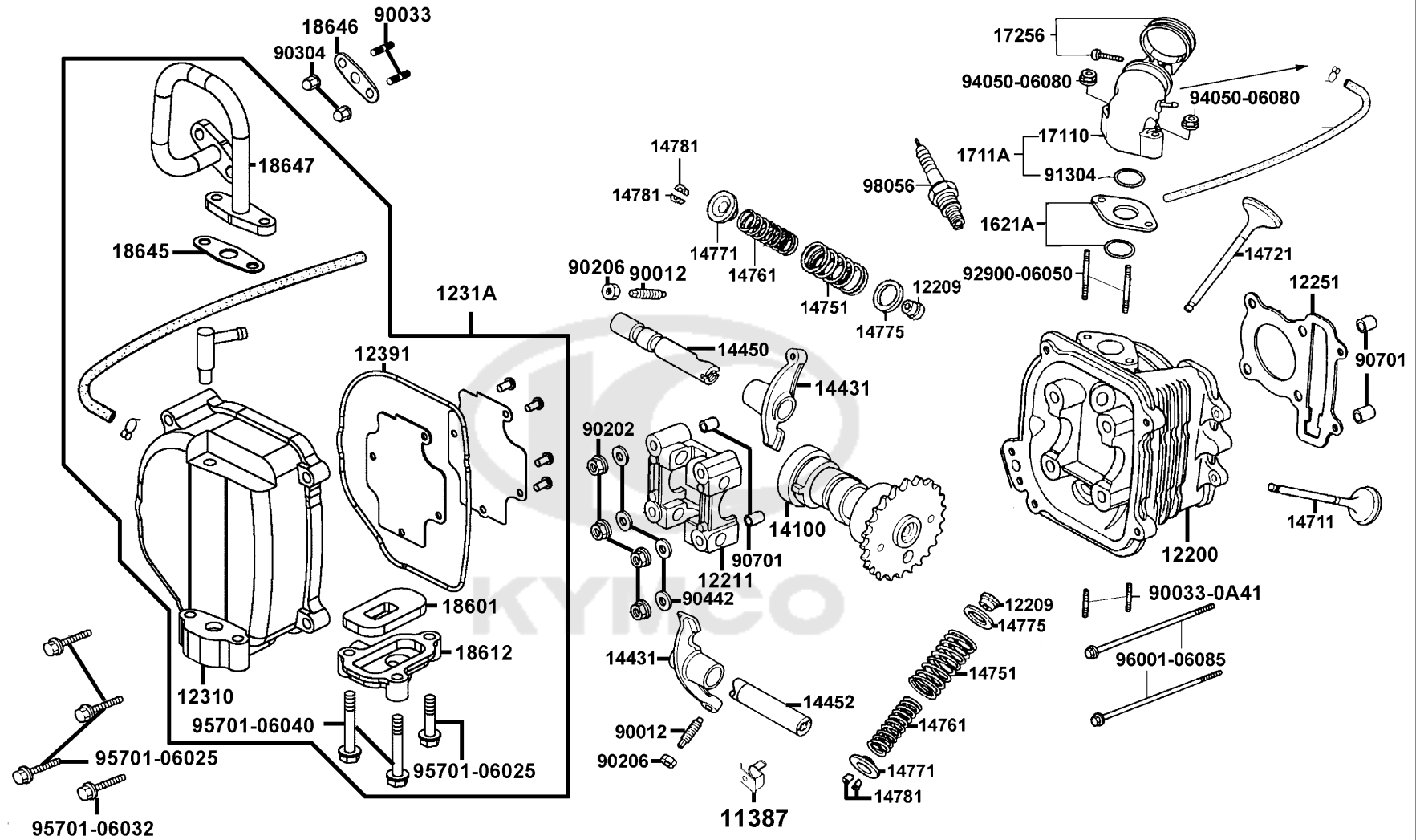
COVER COMP HEAD Cylinder Head



Sales mark 記号	Ref no 参照用番号	Part no パーツ番号	Description 部品名	Reg description 部品名	Regd no 必要個数	Ref Price 希望小売価格(税抜)	E02
11387		11387-KGBG-C00	CLAMPER BREATHER TUBE	CLAMPER BREATHER TUBE	1	160	
12200		12200-KGBG-C10	CYLINDER ASSY	CYLINDER ASSY	1	10860	
12209		12209-GDB4-C00	SEAL VALVE STEM	SEAL VALVE STEM	1	370	
12211		12211-KGBG-C00	HOLDER CAM SHAFT	HOLDER CAM SHAFT	1	2030	
12251		12251-KGBG-C00	GASKET CYLINDER HEAD	GASKET CYLINDER HEAD	1	1090	
12310		12310-KHC5-900	COVER COMP HEAD	COVER COMP HEAD	1	4380	
1231A		1231A-KHC5-C10	COVER ASSY HEAD	COVER ASSY HEAD	1	12150	
12391		12391-KEE1-900	GASKET HEAD COVER	GASKET HEAD COVER	1	390	
14100		14100-KGBG-C00	SHAFT COMP CAM	SHAFT COMP CAM	1	6380	
14431		14431-KGBG-W10	ARM VALVE ROCKER	ARM VALVE ROCKER	2	900	
14450		14450-KGBG-W10	SHAFT COMP IN ROCKER ARM	SHAFT COMP IN ROCKER ARM	1	1040	
14452		14452-KGBG-W10	SHAFT EXH ROCKER ARM	SHAFT EXH ROCKER ARM	1	490	
14711		14711-KGBG-C00	VALVE INLET	VALVE INLET	1	1460	
14721		14721-KGBG-C00	VALVE EXHAUST	VALVE EXHAUST	1	2130	
14751		14751-GEN5-C00	SPRING VALVE OUTER	SPRING VALVE OUTER	1	250	
14761		14761-KGBG-C00	SPRING VALVE INNER	SPRING VALVE INNER	1	540	
14771		14771-GDB4-C00	RETAINER VALVE SPRING	RETAINER VALVE SPRING	1	320	
14775		14775-MFA6-C00	SEAT VALVE SPG OUTER	SEAT VALVE SPG OUTER	1	180	
14781		14781-MFA6-C00	COTTER VALVE	COTTER VALVE	1	110	
1621A		1621A-KGBG-C00	INSULATOR CARB ASSY	INSULATOR CARB ASSY	1	200	

E02

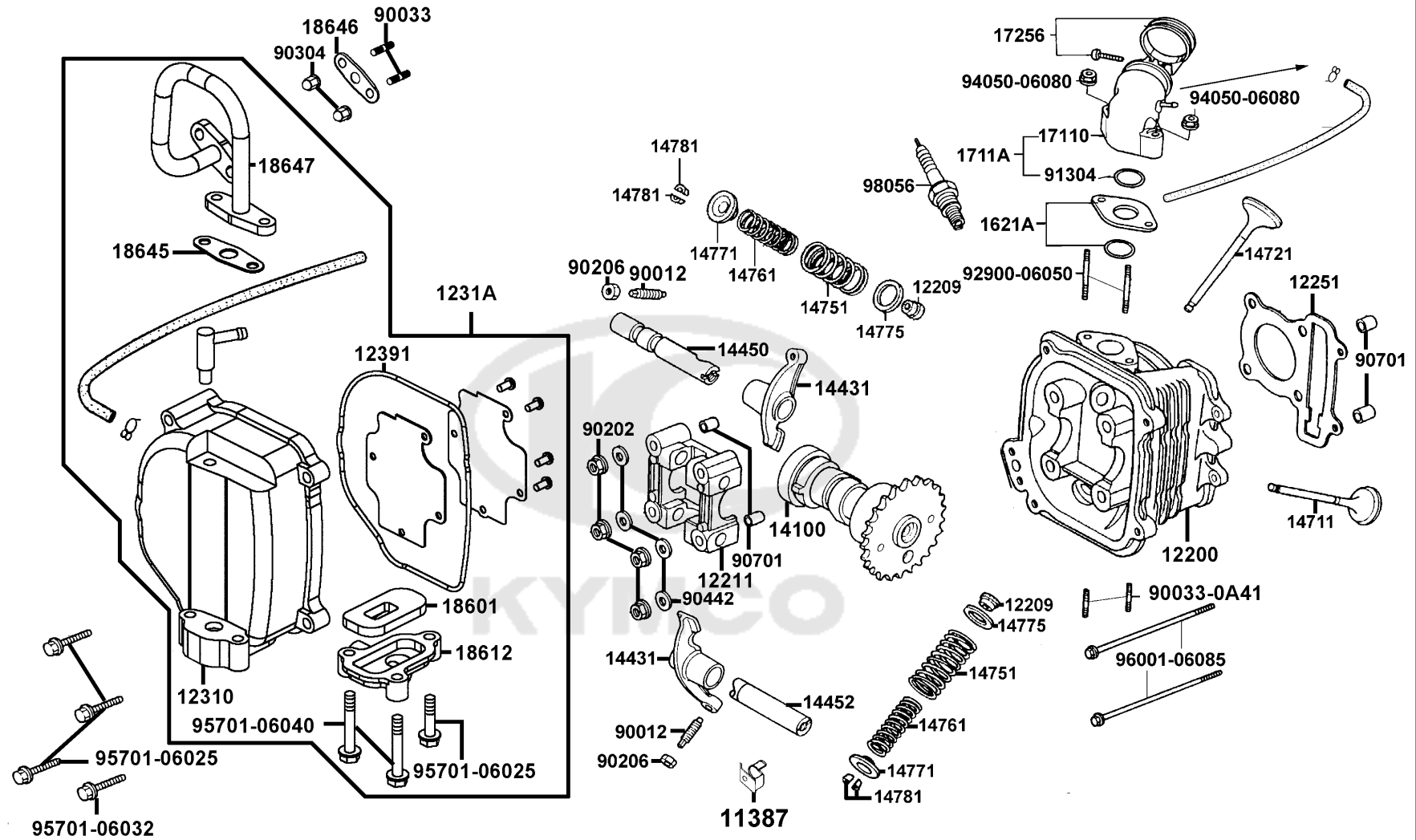
COVER COMP HEAD Cylinder Head



Sales mark 記号	Ref no 参照用番号	Part no パーツ番号	Description 部品名	Reg description 部品名	Regd no 必要個数	Ref Price 希望小売価格(税抜)	E02
17110		17110-KGBG-C00	PIPE COMP INLET	PIPE COMP INLET	1	3240	
1711A		1711A-LCB9-B20	PIPE ASSY INLET	PIPE ASSY INLET	1	4380	
17256		17256-KGBG-C00	BAND INSULATOR	BAND INSULATOR	1	510	
18601		18601-KBE2-900	REED VALVE COMP LDV 52*27*6.0	REED VALVE COMP LDV 52*27*6.0	1	2100	
18612		18612-GFY6-940	COVER REED VALVE	COVER REED VALVE	1		
18645		18645-GFY6-940	GASKET A/I PIPE	GASKET A/I PIPE	1		
18646		18646-LDC8-E10	GASKET A/I PIPE	GASKET A/I PIPE	1	70	
18647		18647-GFY6-9400	PIPE COMP AIR	PIPE COMP AIR	1		
90012		90012-3C33-C00	SCREW TAPPET ADJUSTING	SCREW TAPPET ADJUSTING	1	90	
90033-0A41		90033-0A41-C00	BOLT STUD 6*32	BOLT STUD 6*32	1	140	
90033-GFY6		90033-GFY6-C10	BOLT STUD 6*16	BOLT STUD 6*16	1	90	
90202		90202-GFF6-011	NUT FLANGE 7M/M	NUT FLANGE 7M/M	4	200	
90206		90206-0A01-C00	NUT TAPPET ADJG	NUT TAPPET ADJG	1	60	
90304		90304-4H38-C00	NUT HEX CAP 6MM	NUT HEX CAP 6MM	1	60	
90442		90442-GFF6-C00	WASHER SEALING 7MM	WASHER SEALING 7MM	1	60	
90701		90701-GFF6-C00	PIN DOWEL SPECIAL 8*14	PIN DOWEL SPECIAL 8*14	1	60	
91304		91304-KGBG-C00	O-RING 20.6*2.0	O-RING 20.6*2.0	1	280	
92900		92900-06050-0B	BOLT STUD II 6*50	BOLT STUD II 6*50	2	160	
94050		94050-06080	NUT FLANGE 6MM	NUT FLANGE 6MM	2	60	
95701-06025		95701-06025-00	BOLT FLANGE 6*25	BOLT FLANGE 6*25	1	200	

E02

COVER COMP HEAD Cylinder Head

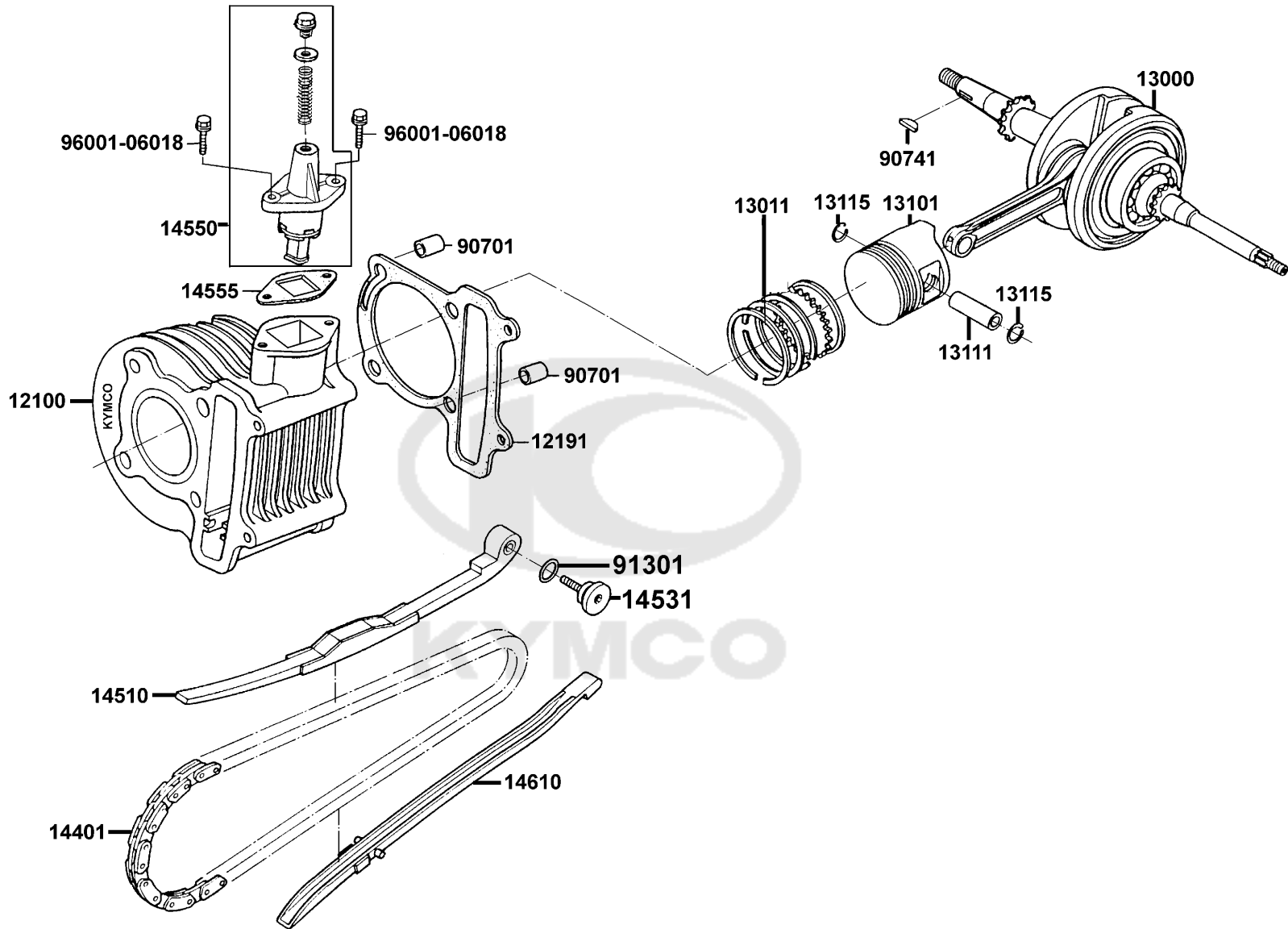


Sales mark 記号	Ref no 参照用番号	Part no パーツ番号	Description 部品名	Reg description 部品名	Regd no 必要個数	Ref Price 希望小売価格(税抜)	E02
95701-06032	95701-06032-08	95701-06032-08	BOLT FLANGE 6*32	BOLT FLANGE 6*32	1	60	
95701-06040	95701-06040-00	95701-06040-00	BOLT FLANGE 6*40	BOLT FLANGE 6*40	1	60	
96001	96001-06085-08	96001-06085-08	BOLT FLANGE SH 6*85 (C)	BOLT FLANGE SH 6*85 (C)	1		
98056	98056-5671R-00	98056-5671R-00	SPARK PLUG (CR6HSA)	SPARK PLUG (CR6HSA)	1	990	



E03

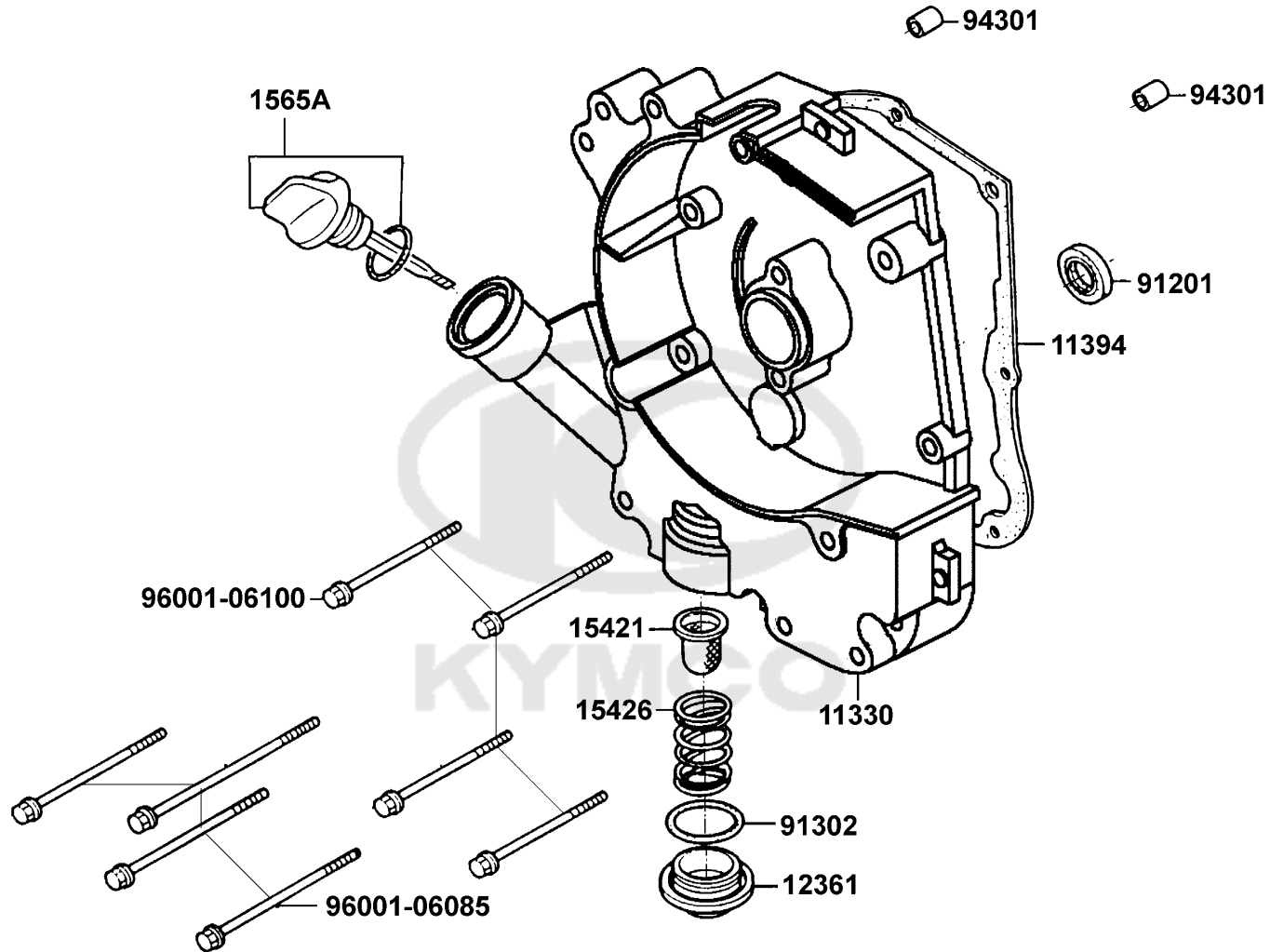
Cylinder Piston Crankshaft



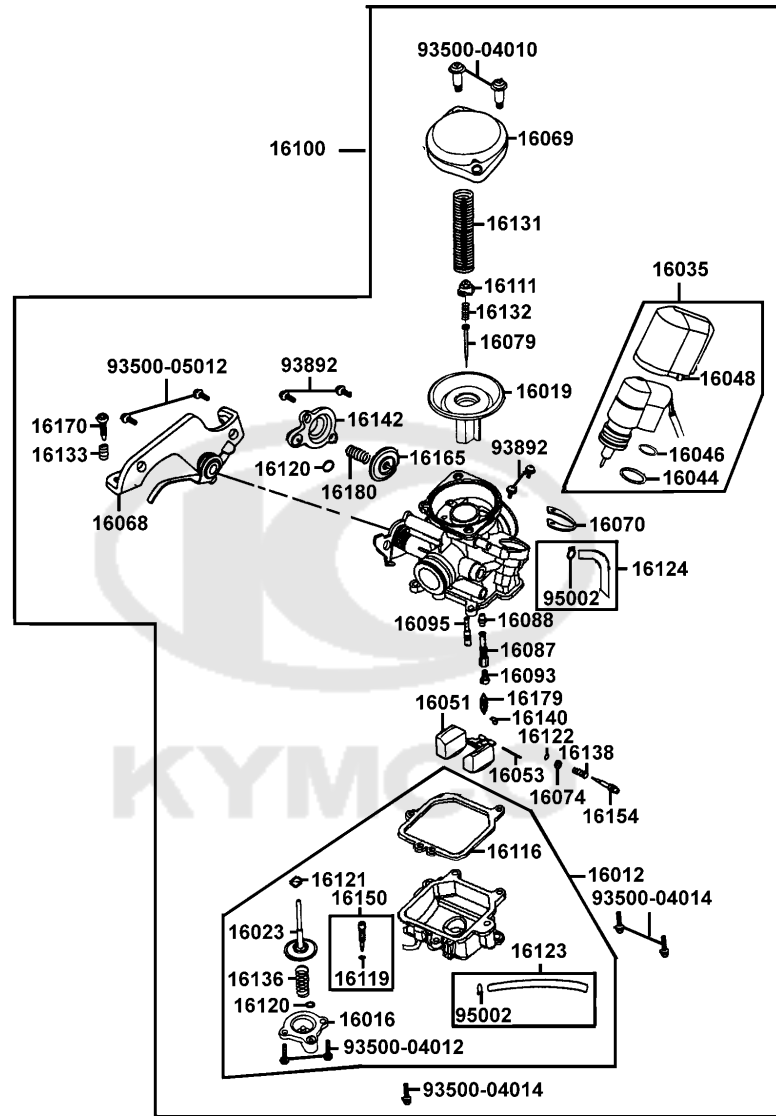
Sales mark 記号	Ref no 参照用番号	Part no パーツ番号	Description 部品名	Reg description 部品名	Regd no 必要個数	Ref Price 希望小売価格(税抜)	E03
12100		12100-KGBG-C01	CYLINDER COMP	CYLINDER COMP	1	17860	
12191		12191-KGBG-E90	GASKET CYLINDER @A	GASKET CYLINDER @A	1	230	
13000		13000-LDC5-C00	CRANK SHAFT COMP	CRANK SHAFT COMP	1	28800	
13011		13011-LBC9-900	RING SET PISTON	RING SET PISTON	1	2860	
13101		13101-LBC9-900	PISTON	PISTON	1	2670	
13111		13111-KGBG-C00	PIN PISTON	PIN PISTON	1	730	
13115		13115-0A01-C00	PISTON PIN CLIP	PISTON PIN CLIP	1	60	
14401		14401-KGBG-C00	CHAIN CAM	CHAIN CAM	1	5580	
14510		14510-KGBG-C00	TENSIONER CAM CHAIN	TENSIONER CAM CHAIN	1	1840	
14531		14531-GLR0-W10	PIVOT CAM CHAIN TENSIONER	PIVOT CAM CHAIN TENSIONER	1	210	
14550		14550-LDC8-C10	ADJUSTER CAM CHAIN	ADJUSTER CAM CHAIN	1	2610	
14555		14555-KKJ9-C10		GASKET CAM CHAIN ADJUSTER	1	240	
14610		14610-KGBG-C00	GUIDE COMP CAM CHAIN	GUIDE COMP CAM CHAIN	1	940	
90701		90701-GFF6-C00	PIN DOWEL SPECIAL 8*14	PIN DOWEL SPECIAL 8*14	1	60	
90741		90741-0E35-C00	KEY WOODRUFF	KEY WOODRUFF	1	350	
91301		91301-GLR0-W10	O-RING 15.2*1.5	O-RING 15.2*1.5	1	70	
96001		96001-06018-08	BOLT FLANGE SH 6*18	BOLT FLANGE SH 6*18	2		

E04

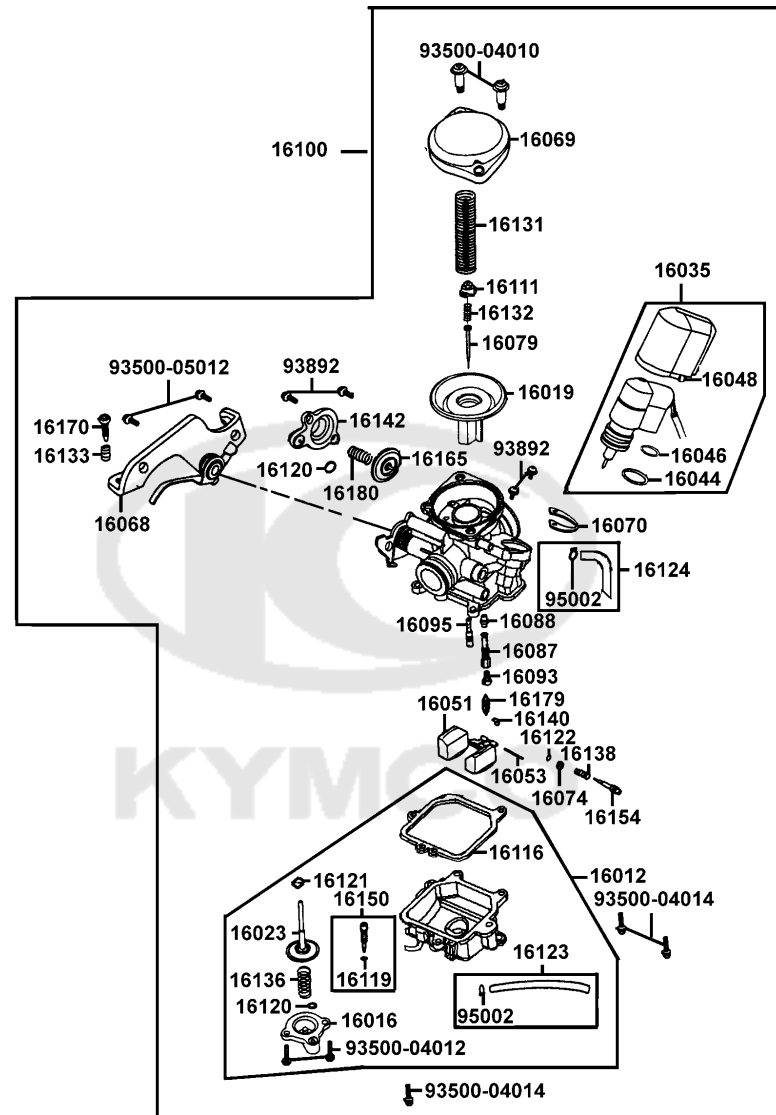
Right Crankcase Cover



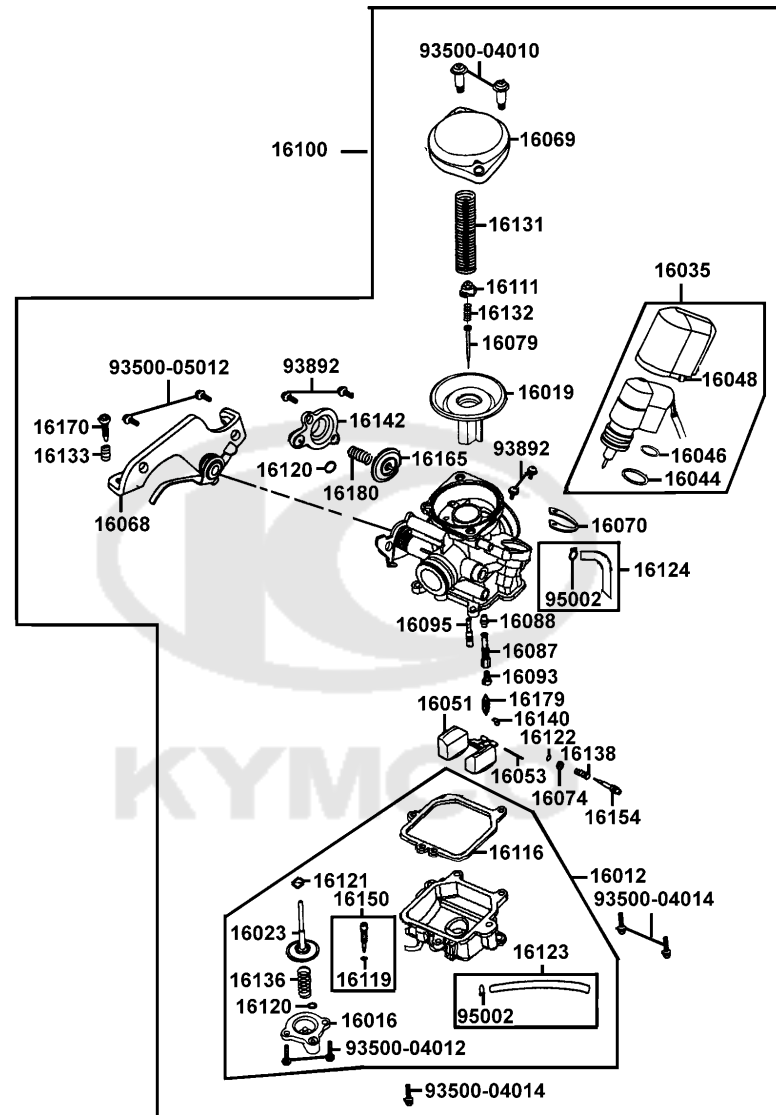
Sales mark 記号	Ref no 参照用番号	Part no パーツ番号	Description 部品名	Reg description 部品名	Regd no 必要個数	Ref Price 希望小売価格(税抜)	E04
11330		11330-KGBG-C00	COVER COMP RIGEH	COVER COMP RIGEH	1	8660	
11394		11394-KGBG-C10		GASKET R COVER@A	1	340	
12361		12361-GFY6-C00	HOLE CAP TAPPET ADJUSTING	HOLE CAP TAPPET ADJUSTING	1	330	
15421		15421-1G07-C00	SCREEN OIL FILTER	SCREEN OIL FILTER	1	240	
15426		15426-GAE1-C00	SPG OIL FILTER SCREEN	SPG OIL FILTER SCREEN	1	300	
1565A		1565A-LDC8-C10	GAUGE OIL LEVEL	GAUGE OIL LEVEL	1	160	
91201		91201-KGBG-C00	OIL SEAL 16.4*30*5	OIL SEAL 16.4*30*5	1	850	
91302		91302-0A01-C00	O-RING 30.8MM	O-RING 30.8MM	1	70	
94301		94301-08140	DOWEL PIN 8*14	DOWEL PIN 8*14	2	110	
96001-06085		96001-06085-08	BOLT FLANGE SH 6*85 (C)	BOLT FLANGE SH 6*85 (C)	1		
96001-06100		96001-06100-08	BOLT FLANGE SH 6*100	BOLT FLANGE SH 6*100	4	200	



Sales mark 記号	Ref no 参照用番号	Part no パーツ番号	Description 部品名	Reg description 部品名	Regd no 必要個数	Ref Price 希望小売価格(税抜)	E05
16012		16012-LDC8-E10	CHAMBER COMP FLOAT L **(2)	CHAMBER COMP FLOAT L **(2)	1	6190	
16016		16016-KGC5-900	COVER ACCP	COVER ACCP	1	390	
16019		16019-KHC4-900	VALVE ASSY PISTON **(1) C.	VALVE ASSY PISTON **(1) C.	1	2860	
16023		16023-KGC5-900	DIAPHRAGM ASSY ACCP	DIAPHRAGM ASSY ACCP	1	680	
16035		16035-KHC4-900	UNIT BY-ST **(0) C.2007.11.01	UNIT BY-ST **(0) C.2007.11.01	1	5170	
16044		16044-KEC3-900	SEAL A BY-ST	SEAL A BY-ST	1	60	
16046		16046-KEC3-900	EAL A BY-ST	EAL A BY-ST	1	60	
16048		16048-KGC5-900	CAP BT-ST	CAP BT-ST	1	200	
16051		16051-KGC5-90A	BODY FLOAT	BODY FLOAT	1	1060	
16053		16053-KEC3-900	PIN FLOAT	PIN FLOAT	1	160	
16068		16068-KGC5-900	PLATE WIRE FIXED COMP	PLATE WIRE FIXED COMP	1	1060	
16069		16069-KGC5-900	COVER PISTON VALVE DIAPHRAGM	COVER PISTON VALVE DIAPHRAGM **(0)	1	390	
16070		16070-KEC3-900	STOPPER BY-ST	STOPPER BY-ST	1	70	
16074		16074-KEC3-900	WASHER IDLE SCREW	WASHER IDLE SCREW	1	160	
16079		16079-KGC5-900	NEEDLE ASSY JET	NEEDLE ASSY JET	1	1060	
16087		16087-LCB9-900	TUBE EMULSION	TUBE EMULSION	1	770	
16088		16088-KEC5-900	JET NEEDLE	JET NEEDLE	1	680	
16093		16093-KEC3-088	JET MAIN #88	JET MAIN #88	1	870	
16095		16095-KGC5-900	JET SLOW	JET SLOW	1	1440	
16100		16100-LCB9-E70	CARBURETOR ASSY	CARBURETOR ASSY	1	31770	



Sales mark 記号	Ref no 参照用番号	Part no パーツ番号	Description 部品名	Reg description 部品名	Regd no 必要個数	Ref Price 希望小売価格(税抜)	E05
16111		16111-KEC3-900	STOPPER J.N SPG	STOPPER J.N SPG	1	160	
16116		16116-KGC5-900	PACKING FLOAT CHAMBER	PACKING FLOAT CHAMBER	1	200	
16119		16119-KEC3-900	O-RING	O-RING	1	60	
16120		16120-KEC3-900	O-RING ACCP	O-RING ACCP	2	140	
16122		16122-KEC3-900	O-RING IDLE SCREW	O-RING IDLE SCREW	1	60	
16123		16123-KGC5-900	TUBE COMP 3.5X180	TUBE COMP 3.5X180	1	300	
16124		16124-KEC3-900	TUBE COMPL 3.5*300	TUBE COMPL 3.5*300	1	210	
16131		16131-KGC6-900	SPG PISTON VALVE RETURN	SPG PISTON VALVE RETURN	1	160	
16132		16132-KEC5-900	SPRING JET NEEDLE	SPRING JET NEEDLE	1	160	
16133		16133-KGC5-900	SPRING THROTTLE ADJUST SCREW	SPRING THROTTLE ADJUST SCREW	1	160	
16136		16136-KGC5-900	SPRING ACCP DIAPHRAGM	SPRING ACCP DIAPHRAGM	1	160	
16138		16138-KEC3-900	SPG IDLE SCREW	SPG IDLE SCREW	1	160	
16140		16140-KEC3-900	CLIP FLOAT VALVE	CLIP FLOAT VALVE	1	160	
16142		16142-KGC5-900	COVER ACV	COVER ACV	1	580	
16150		16150-KEC3-900	SCREW COMP DRAIN	SCREW COMP DRAIN	1	490	
16154		16154-KGC5-900	SCREW IDLE ADJUST	SCREW IDLE ADJUST	1	870	
16165		16165-KGC5-900	DIAPHRAGM	DIAPHRAGM	1	580	
16170		16170-KGC5-900	SCREW THROTTLE ADJUST	SCREW THROTTLE ADJUST	1	70	
16180		16180-KGC5-900	SPG ACV	SPG ACV	1	160	
16179		16183-KEC3-C00	VALVE COMPL.FLOAT	VALVE COMPL.FLOAT	1	1490	

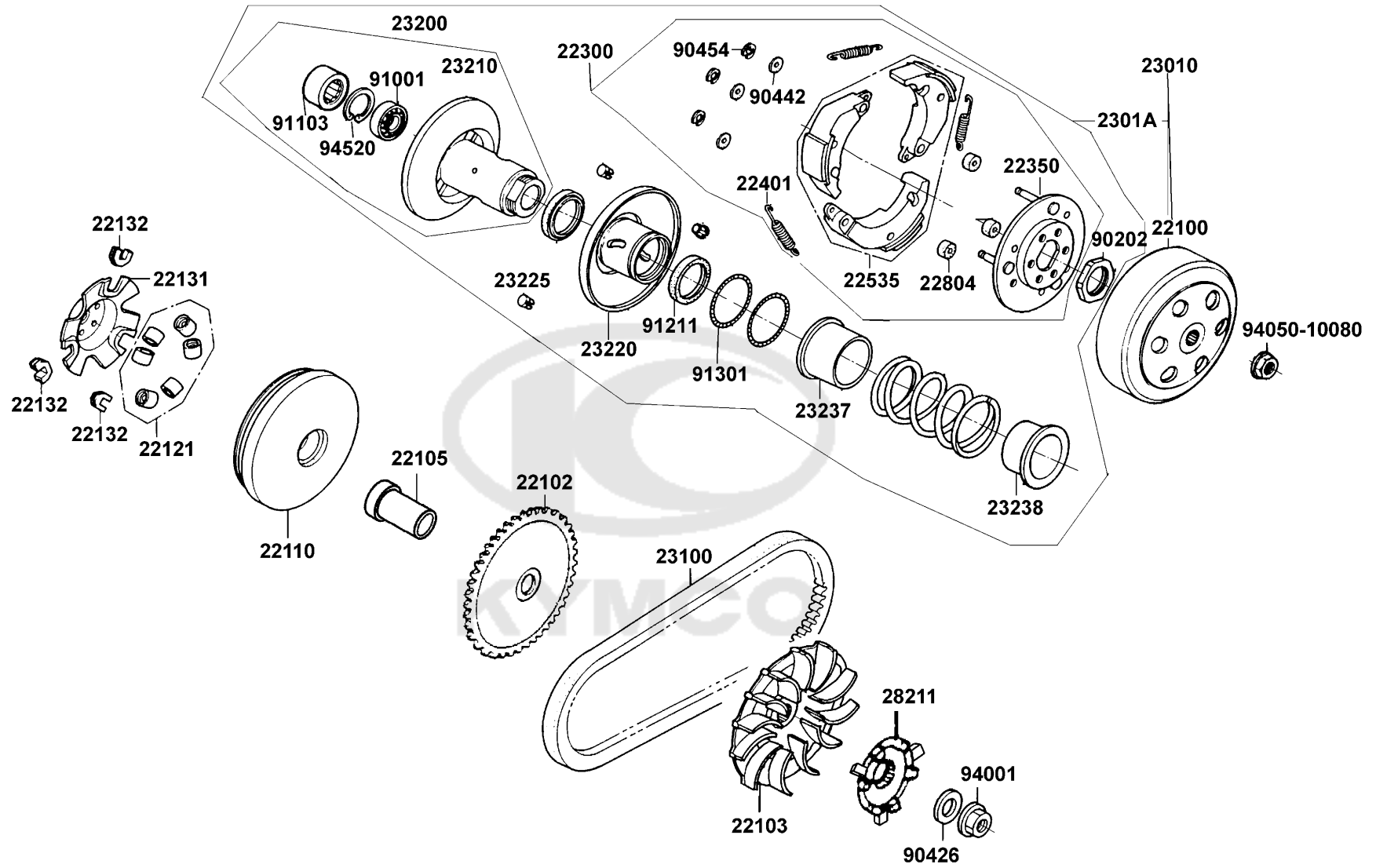


Sales mark 記号	Ref no 参照用番号	Part no パーツ番号	Description 部品名	Reg description 部品名	Regd no 必要個数	Ref Price 希望小売価格(税抜)	E05
93500-04010		93500-04010-1A	SCREW 4*10	SCREW 4*10	2	60	
93500-04012		93500-04012-1A	SCREW 4*12	SCREW 4*12	2	60	
93500-04014		93500-04014-1A	SCREW 4*12	SCREW 4*12	4	60	
93500-05012		93500-05012-1A	SCREW PAN 5*12(B)	SCREW PAN 5*12(B)	3		
93892		93892-04008-18	SCREW WASHER 4*8	SCREW WASHER 4*8	4	60	
95002		95002-02070	CLIP B7 TUBE	CLIP B7 TUBE	1	60	



E06

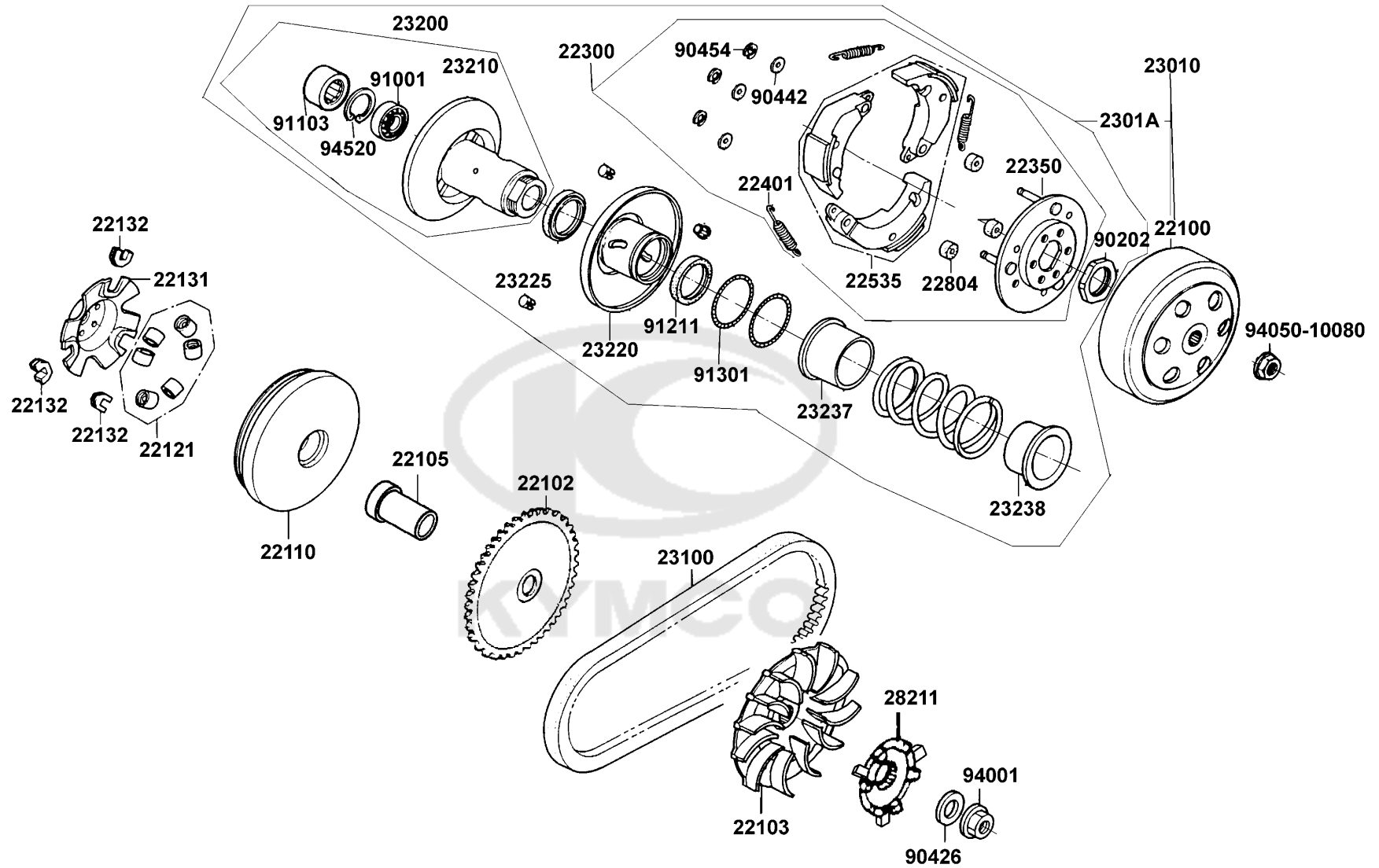
Driven Pulley



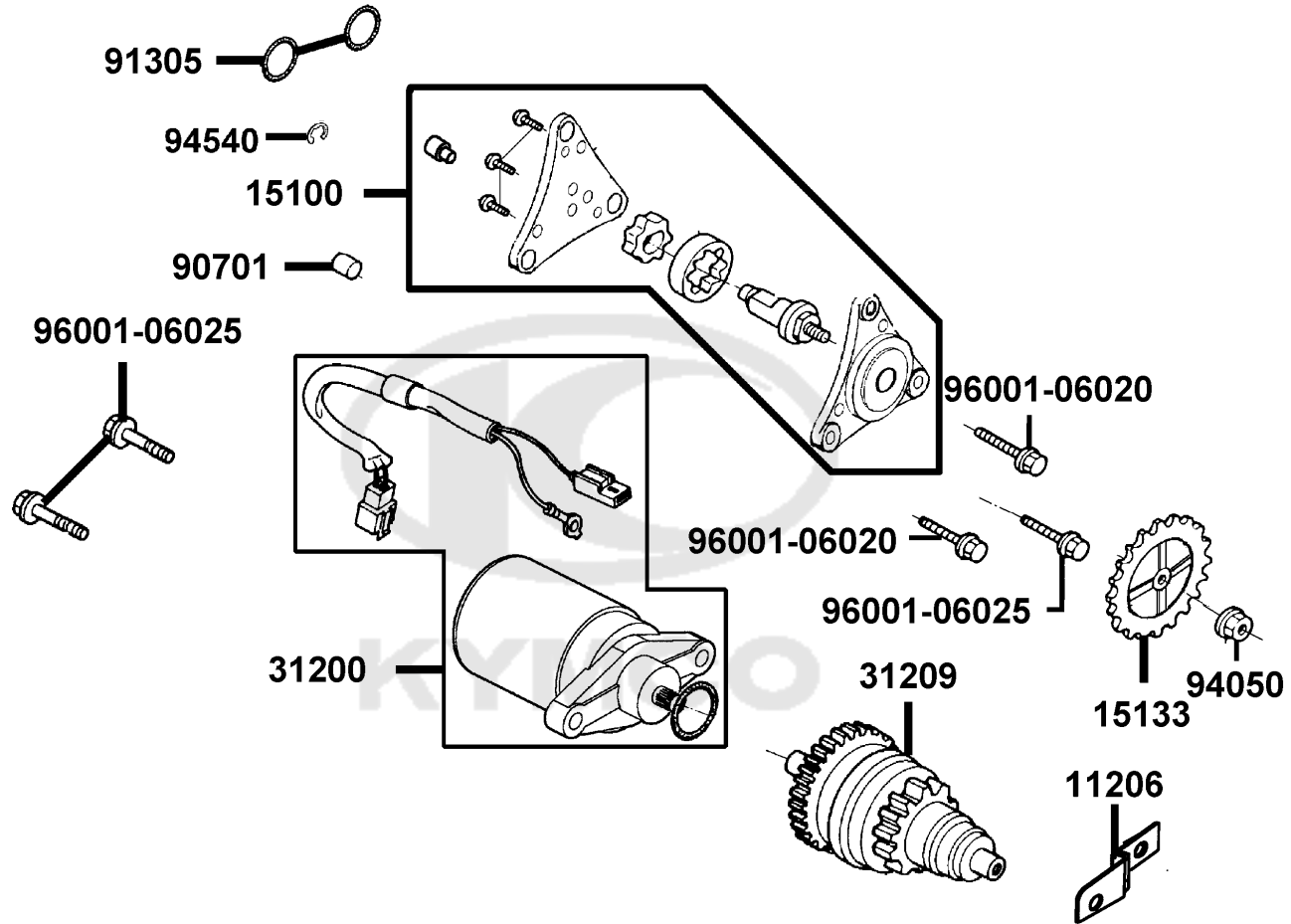
Sales mark 記号	Ref no 参照用番号	Part no パーツ番号	Description 部品名	Reg description 部品名	Regd no 必要個数	Ref Price 希望小売価格(税抜)	E06
22100		22100-LDC8-E10	CLUTCH OUTER	CLUTCH OUTER	1	2200	
22102		22102-LDC8-E10	FACE DRIVE	FACE DRIVE	1	2150	
22103		22103-KEB7-C00	FAN CVT COOLING	FAN CVT COOLING	1	540	
22105		22105-KGBG-C00	BOSS,DRIVE FACE	BOSS,DRIVE FACE	1	680	
22110		22110-LDC8-E10	FACE COMP MOVABLE DRIVE	FACE COMP MOVABLE DRIVE	1	1470	
22121		22121-LBD6-315	ROLLER SET WEIGHT (1SET:6PCS)	ROLLER SET WEIGHT(旧品番の22121-LBD6	1	210	
22131		22131-GHAH-C00	PLATE RAMP	PLATE RAMP	1	660	
22132		22132-GLW0-C00	PIECE SLIDE	PIECE SLIDE	1	110	
22300		22300-GGAG-C00	PLATE ASSY. DRIVE	PLATE ASSY. DRIVE	1	15800	
22350		22350-GKAK-C00	PLATE COMP DRIVE	PLATE COMP DRIVE	1	1010	
22401		22401-LDC8-E10	SPRING CLUTCH	SPRING CLUTCH	1	250	
22535		22535-GKAK-C00	WEIGHT SET CLUTCH	WEIGHT SET CLUTCH	1	2490	
22804		22804-1H48-C00	RUBBER CLUTCH DUMPER	RUBBER CLUTCH DUMPER	1	60	
23010		23010-LDC8-E10	PULLEY ASSY DRIVEN	PULLEY ASSY DRIVEN	1	20940	
2301A		2301A-LDC8-C10	PULLEY SUB ASSY	PULLEY SUB ASSY	1	21690	
23100		23100-GKAK-C00	BELT DRIVE	BELT DRIVE	1	5900	
23200		23200-GAR1-C00	FACE ASSY DRIVEN	FACE ASSY DRIVEN	1	5640	
23210		23210-GAR1-C00	FACE COMP DRIVEN	FACE COMP DRIVEN	1	4150	
23220		23220-LDC8-E10	FACE COMP MOVABLE	FACE COMP MOVABLE	1	4690	
23225		23225-GAR1-C00	PIN GUIDE	PIN GUIDE	1	70	

E06

Driven Pulley



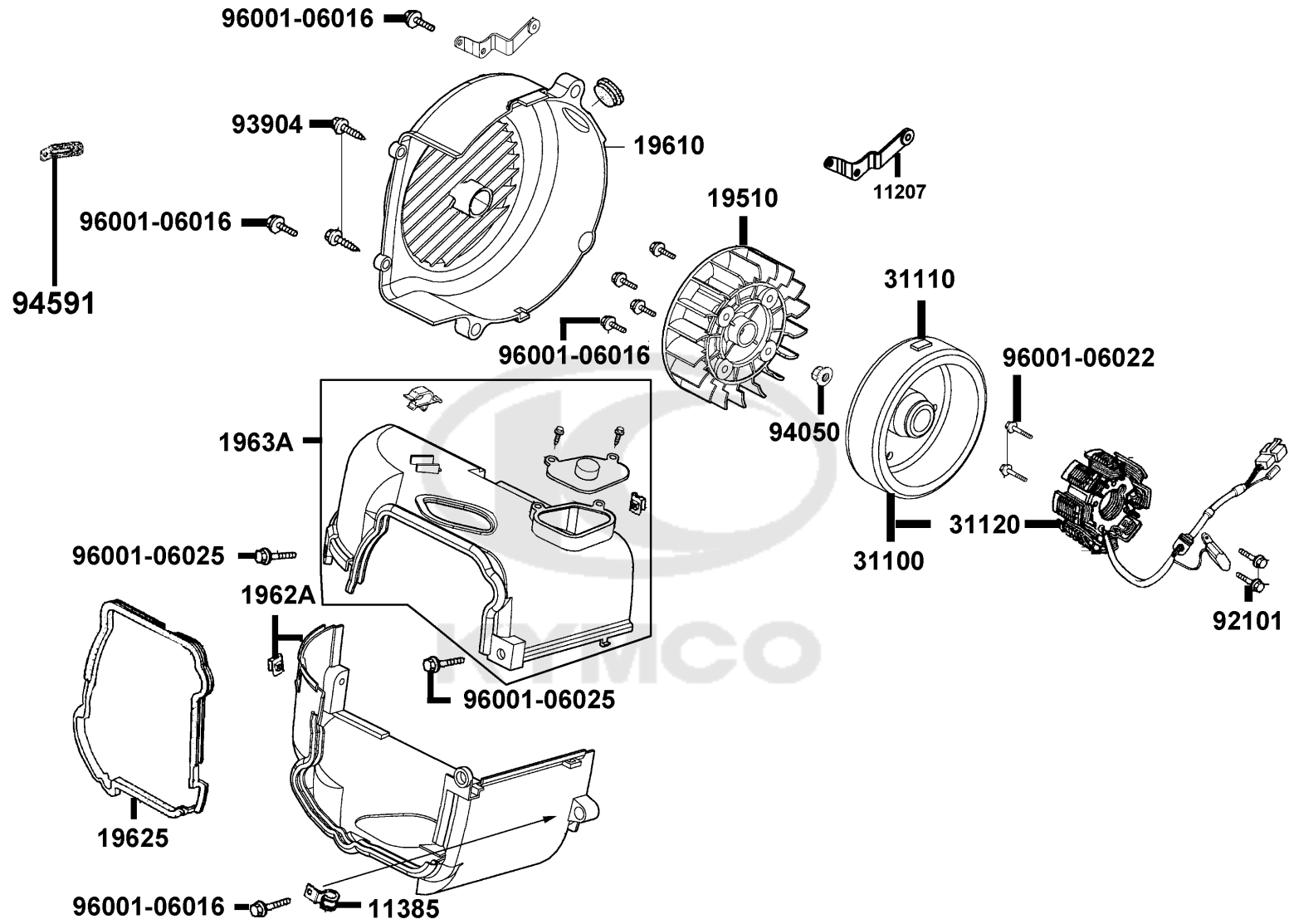
Sales mark 記号	Ref no 参照用番号	Part no パーツ番号	Description 部品名	Reg description 部品名	Regd no 必要個数	Ref Price 希望小売価格(税抜)	E06
23237		23237-GAR1-C00	COLLAR SEAL	COLLAR SEAL	1	1060	
23238		23238-GGS7-C00	COLLAR SPG	COLLAR SPG	1	390	
28211		28211-KEB7-W10	RATCHET KICK STARTER	RATCHET KICK STARTER	1	800	
90202		90202-1G87-C00	NUT SPECIAL 28MM	NUT SPECIAL 28MM	1	140	
90426		90426-KNBN-C00	WASHER SPECIAL 12MM	WASHER SPECIAL 12MM	1	60	
90442		90442-0D44-C00	WASHER THRUST 6M/M	WASHER THRUST 6M/M	1	130	
90454		90454-GBB2-C00	CIR CLIP 6MM	CIR CLIP 6MM	1	60	
91001		91001-GGA7-C00	BRG RADIAL BALL 6901U	BRG RADIAL BALL 6901U	1	590	
91103		91103-GAR1-C00	BRG NEEDLE 17*25*18 WS	BRG NEEDLE 17*25*18 WS	1	680	
91211		91211-KEE1-C00	OIL SEAL 34*39*3	OIL SEAL 34*39*3	1	1350	
91301		91301-KEE1-C00	O-RING 36*1.5	O-RING 36*1.5	1	140	
94001		94001-12280-0S	NUT HEX 12MM	NUT HEX 12MM	1	160	
94050		94050-10080	NUT FLANGE 10MM	NUT FLANGE 10MM	1	60	
94520		94520-24000	CIR CLIP IN 24	CIR CLIP IN 24	1	80	



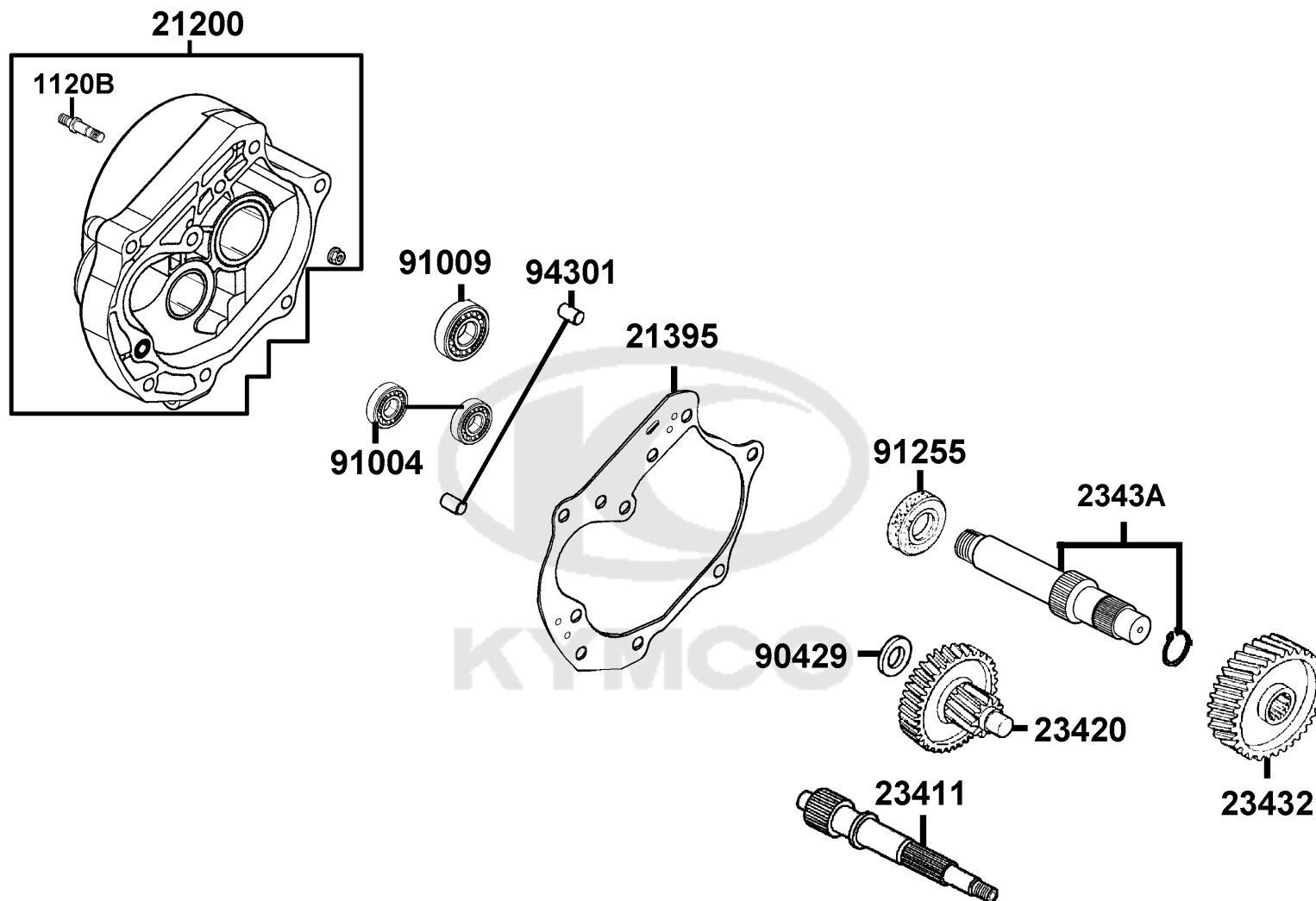
Sales mark 記号	Ref no 参照用番号	Part no パーツ番号	Description 部品名	Reg description 部品名	Regd no 必要個数	Ref Price 希望小売価格(税抜)	E07
11206		11206-LBC9-C00	STAY A RR FENDER	STAY A RR FENDER	1	1330	
15100		15100-LDC5-C00	PUMP ASSY OIL	PUMP ASSY OIL	1	1770	
15133		15133-LDC5-C00	GEAR OIL PUMP DRIVEN	GEAR OIL PUMP DRIVEN	1	660	
31200		31200-LDC8-E10	MOTOR ASSY START	MOTOR ASSY START	1	10110	
31209		31209-KEE1-C00	PINION ASSY STARTER	PINION ASSY STARTER	1	6330	
90701		90701-HDC4-C00	DOWEL PIN 8*12	DOWEL PIN 8*12	1	70	
91305		91305-0H28-C00	O-RING 9*1.6	O-RING 9*1.6	1	70	
94050		94050-06080	NUT FLANGE 6MM	NUT FLANGE 6MM	1	60	
94540		94540-06018	E RING 6	E RING 6	1	200	
96001-06020		96001-06020-08	BOLT FLANGE SH 6*20	BOLT FLANGE SH 6*20	2	200	
96001-06025		96001-06025-08	BOLT FLANGE SH 6*25	BOLT FLANGE SH 6*25	3	90	
96220		96220-LDC5-C00	ROLLER 2 x 14.8	ROLLER 2 x 14.8	1	90	

E08

Fan Cover Generator



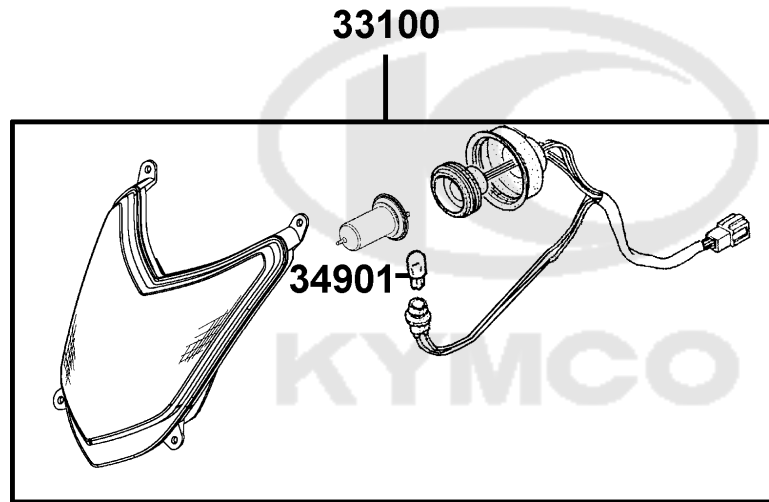
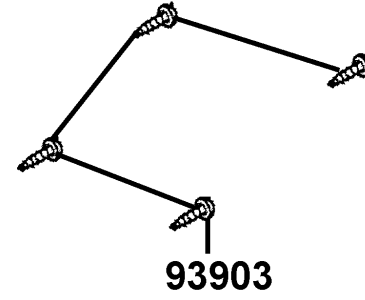
Sales mark 記号	Ref no 参照用番号	Part no パーツ番号	Description 部品名	Reg description 部品名	Regd no 必要個数	Ref Price 希望小売価格(税抜)	E08
11207		11207-LCB9-B20	"STAY B, RR FENDER"	"STAY B, RR FENDER"	1	1080	
19510		19510-LDC5-C00	FAN COMP COOLING	FAN COMP COOLING	1	660	
19610		19610-LFC2-E10	COVER COMP FAN	COVER COMP FAN	1	680	
19625		19625-KEE1-C00	SEAL SHROUD	SEAL SHROUD	1	770	
1962A		1962A-KEE1-C00	SHROCD ASSY A	SHROCD ASSY A	1	1150	
1963A		1963A-LCB9-E61	SHROUD ASSY B	SHROUD ASSY B	1	1580	
31100		31100-KGBG-C00	AC GEN ASSY	AC GEN ASSY	1	15140	
31110		31110-KGBG-C00	FLYWHEEL COMP	FLYWHEEL COMP	1	8800	
31120		31120-KGBG-C00	STATOR COMP	STATOR COMP	1	11480	
92101		92101-05012-0H	BOLT HEX 5*12	BOLT HEX 5*12	2	60	
93904		93904-35380	SCREW TAPPING 5*16	SCREW TAPPING 5*16	2	200	
94050		94050-10080	NUT FLANGE 10MM	NUT FLANGE 10MM	1	60	
94591		94591-LDC8-E10	CLIP BIND	CLIP BIND	1	140	
96001-06016		96001-06016-08	BOLT FLANGE SH 6*16	BOLT FLANGE SH 6*16	6	200	
96001-06022		96001-06022-08	BOLT FLANGE SH 6*22	BOLT FLANGE SH 6*22	2	60	
96001-06025		96001-06025-08	BOLT FLANGE SH 6*25	BOLT FLANGE SH 6*25	2	90	



Sales mark 記号	Ref no 参照用番号	Part no パーツ番号	Description 部品名	Reg description 部品名	Regd no 必要個数	Ref Price 希望小売価格(税抜)	E09
1120B		1120B-KGN7-C00	PIN ASSY ANCHOR	PIN ASSY ANCHOR	1	450	
21200		21200-KGBG-C00	CASE COMP MISSION	CASE COMP MISSION	1	6360	
21395		21395-KNBN-C10		GASKET MISSION CASE A	1	300	
23411		23411-GKAK-C00	SHAFT DRIVE	SHAFT DRIVE	1	13070	
23420		23420-GKAK-C00	SHAFT COMP COUNTER	SHAFT COMP COUNTER	1	16470	
23432		23432-KNBN-C00	GEAR FINAL	GEAR FINAL	1	9090	
2343A		2343A-KNBN-C00	SHAFT FINAL	SHAFT FINAL	1	9810	
90429		90429-KNBN-C00	WASHER SIDE 12MM	WASHER SIDE 12MM	1	660	
91004		91004-KBN2-C00	BRG BALL RADIAL 6201	BRG BALL RADIAL 6201	1	2410	
91009		91009-GLE0-C00	BRG BALL RADIAL 6004 UU	BRG BALL RADIAL 6004 UU	1	2040	
91255		91255-LDC8-E10	OIL SEAL 27*42*7(C?)	OIL SEAL 27*42*7(C?)	1	160	
94301		94301-10200	DOWEL PIN 10*20	DOWEL PIN 10*20	1	200	

F01

Head Light



Sales mark 記号	Ref no 参照用番号	Part no パーツ番号	Description 部品名	Reg description 部品名	Regd no 必要個数	Ref Price 希望小売価格(税抜)	F01
------------------	-----------------	------------------	--------------------	------------------------	-----------------	-------------------------	-----

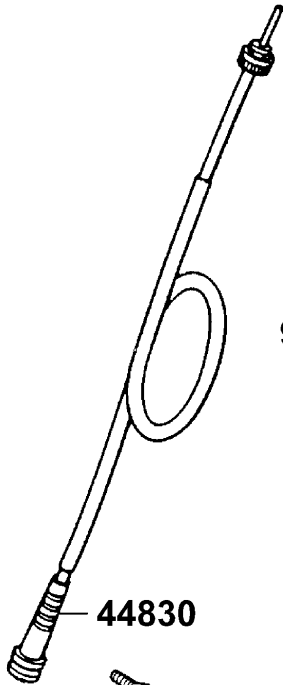
33100		33100-LDF6-B20	LIGHT ASSY HEAD	LIGHT ASSY HEAD	1	16140	
34901		34901-LDF6-B20	BULB HEAD LIGHT	BULB HEAD LIGHT	1	1290	
93903		93903-35380	SCREW TAPPING 5*16 (K)	SCREW TAPPING 5*16 (K)	4	60	



F02

Speedometer

38300

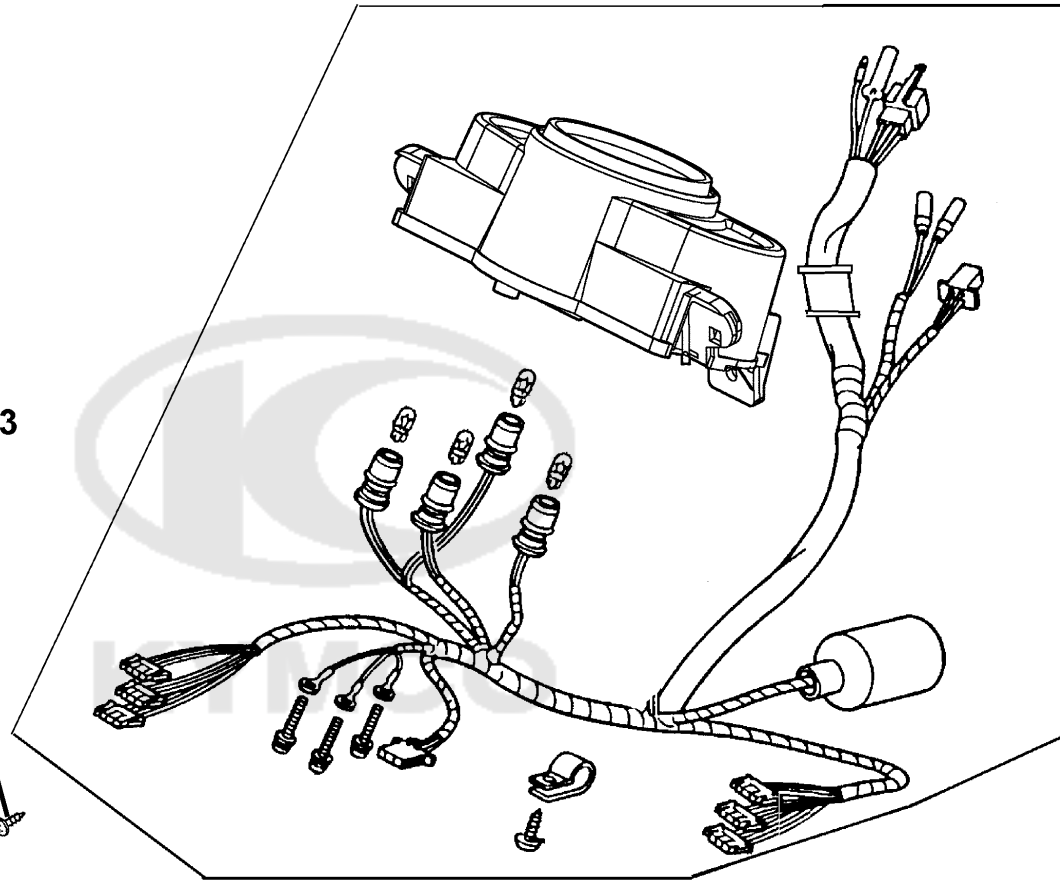


44830



93700

93903



37200

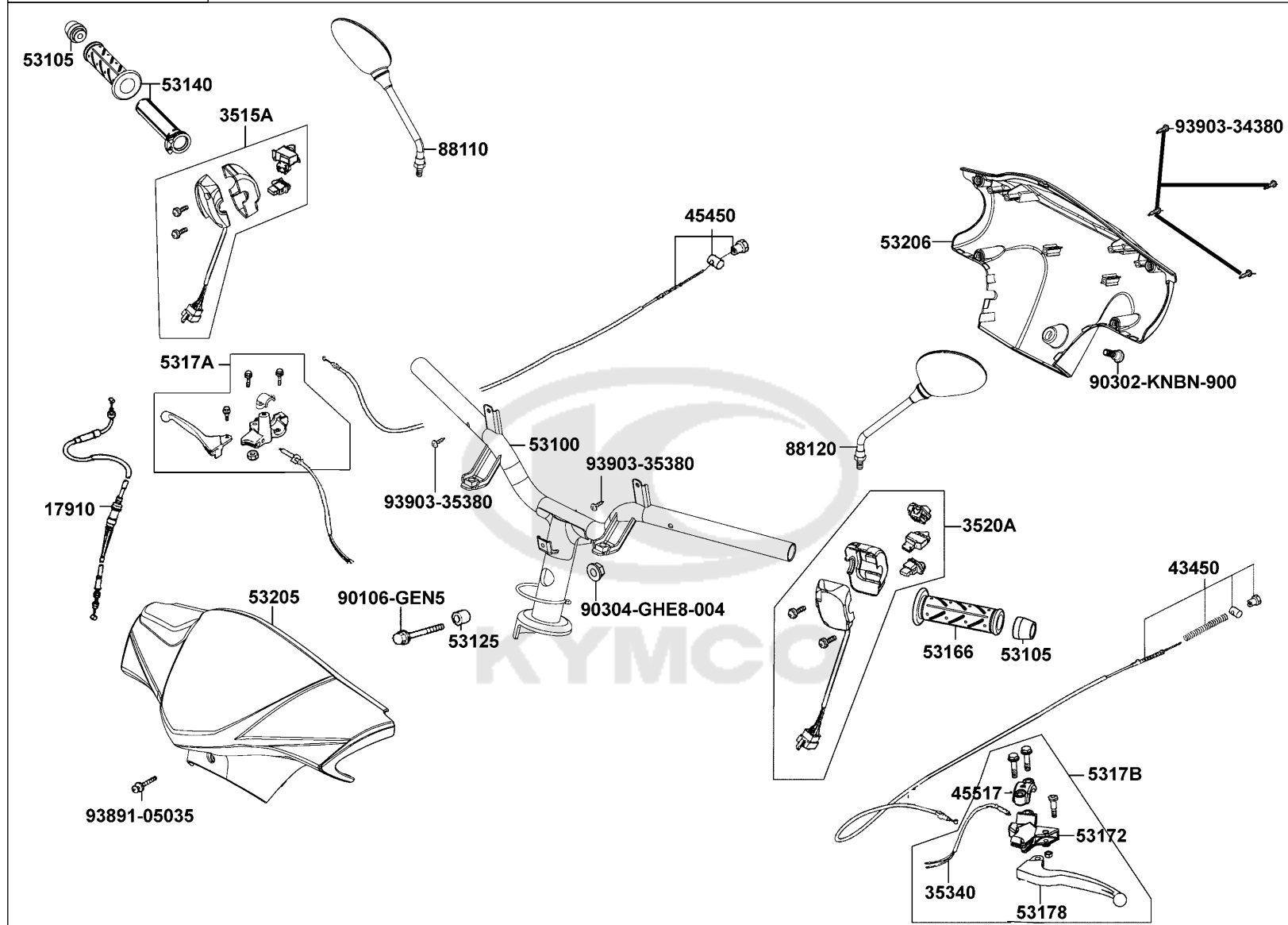
Sales mark 記号	Ref no 参照用番号	Part no パーツ番号	Description 部品名	Reg description 部品名	Regd no 必要個数	Ref Price 希望小売価格(税抜)	F02
------------------	-----------------	------------------	--------------------	------------------------	-----------------	-------------------------	-----

37200	37200-LCB9-B20	METER ASSY SPEED	METER ASSY SPEED	METER ASSY SPEED	1	14020	
38300	38300-KECE-W10	RELAY ASS'Y WINKER	RELAY ASS'Y WINKER	RELAY ASS'Y WINKER	1	2370	
44830	44830-LCB9-C10	CABLE COMP SPDMT	CABLE COMP SPDMT	CABLE COMP SPDMT	1	1090	
93700	93700-05018-0H	SCREW OVAL 5*18	SCREW OVAL 5*18	SCREW OVAL 5*18	1	60	
93903	93903-35320	SCREW TAPPING 5*16	SCREW TAPPING 5*16	SCREW TAPPING 5*16	4	60	



F03

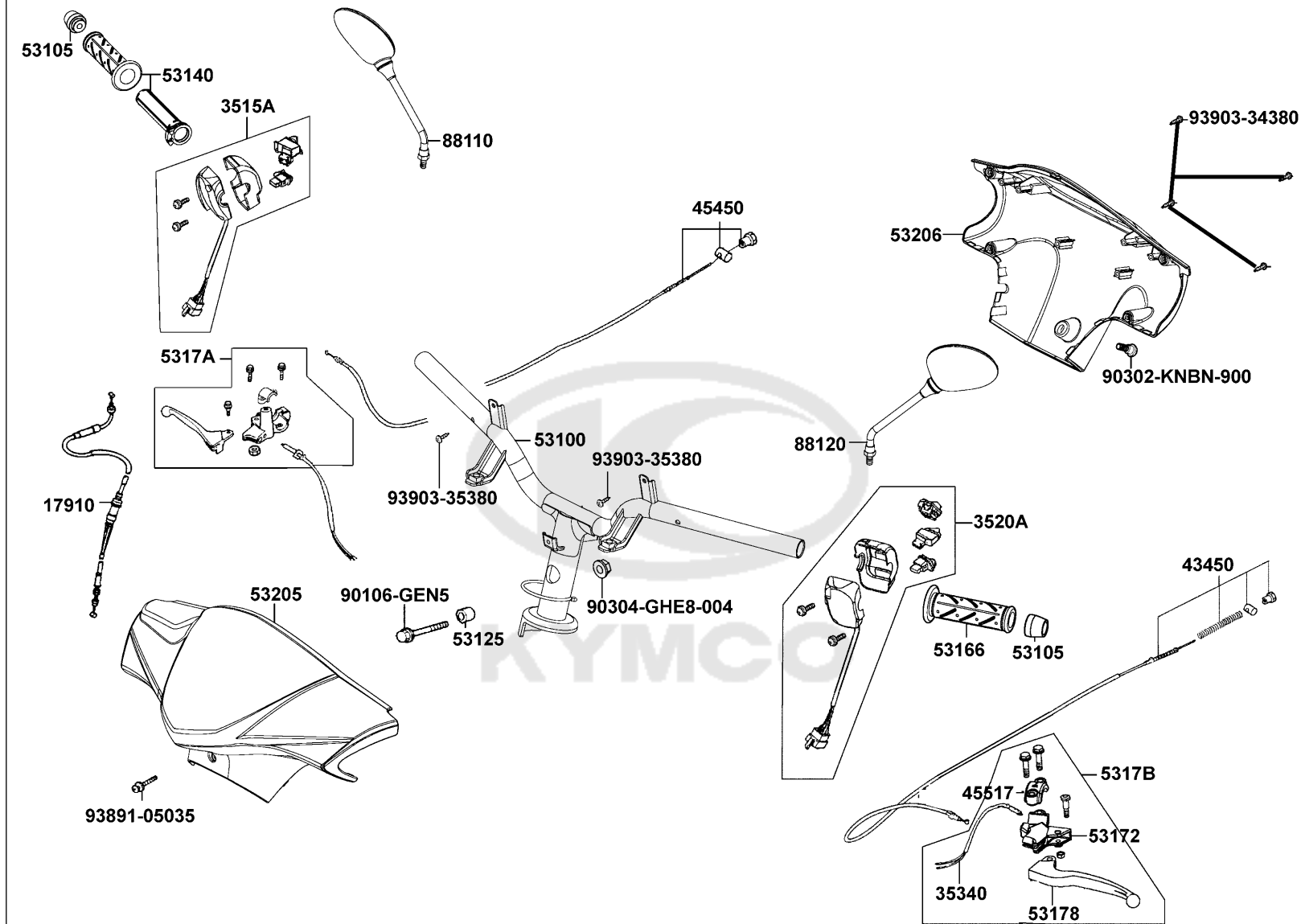
CABLE HNDL LEVER STRG HNDL



Sales mark 記号	Ref no 参照用番号	Part no パーツ番号	Description 部品名	Reg description 部品名	Regd no 必要個数	Ref Price 希望小売価格(税抜)	F03
	17910	17910-LCB9-B20	CABLE COMP THROT	CABLE COMP THROT	1	1720	
	3515A	3515A-LDF7-B20	SW ASSY RH HNDL COMP	SW ASSY RH HNDL COMP	1	3220	
	3520A	3520A-LGB5-E11	"SW ASS'Y..LH HANDLE COMP"	"SW ASS'Y..LH HANDLE COMP"	1	3890	
	35340	35340-KKJ9-C00	SW ASSY FR STOP	SW ASSY FR STOP	1	900	
	43450	43450-LCB9-C10	CABLE COMP FR BRK	CABLE COMP FR BRK	1	1540	
	45450	45450-KECE-C00	CABLE COMP FR BRK	CABLE COMP FR BRK	1	970	
	45517	45517-GFY6-900	HOLDER HNDL BRKT	HOLDER HNDL BRKT	1	260	
	53100	53100-LCB9-C10	HANDLE COMP STRG	HANDLE COMP STRG	1	7710	
	53105	53105-KNBN-C00	END STRG HANDLE	END STRG HANDLE	1	90	
	53125	53125-GEN5-C00	COLLAR HANDLE SET	COLLAR HANDLE SET	1	470	
**	53140	53140-KNBN-C00	GRIP COMP THROT	GRIP COMP THROT	1	470	
**	53166	53166-KNBN-C00	GRIP L HANDLE	GRIP L HANDLE	1	440	
	53172	53172-KTCT-C00	BRKT HNDL L	BRKT HNDL L	1	900	
	53178	53178-KTCT-C00	LEVER L STRG HANDLE	LEVER L STRG HANDLE	1	900	
	5317A	5317A-KTCT-C00	BRKT ASSY HNDL L/H	BRKT ASSY HNDL L/H	1	3720	
	5317B	5317B-KTCT-C00	BRKT ASSY HNDL L/H	BRKT ASSY HNDL L/H	1	3510	
**	53205	53205-LCB9-C10	COVER HANDLE FR	COVER HANDLE FR	1	7590	
**	53206	53206-LCB9-C10	COVER HANDLE RR	COVER HANDLE RR	1	2720	
	88110	88110-LCB9-C10	MIRROR ASSY R BACK	MIRROR ASSY R BACK	1	1990	
	88120	88120-LCB9-C10	MIRROR ASSY L BACK	MIRROR ASSY L BACK	1	1990	

F03

CABLE HNDL LEVER STRG HNDL

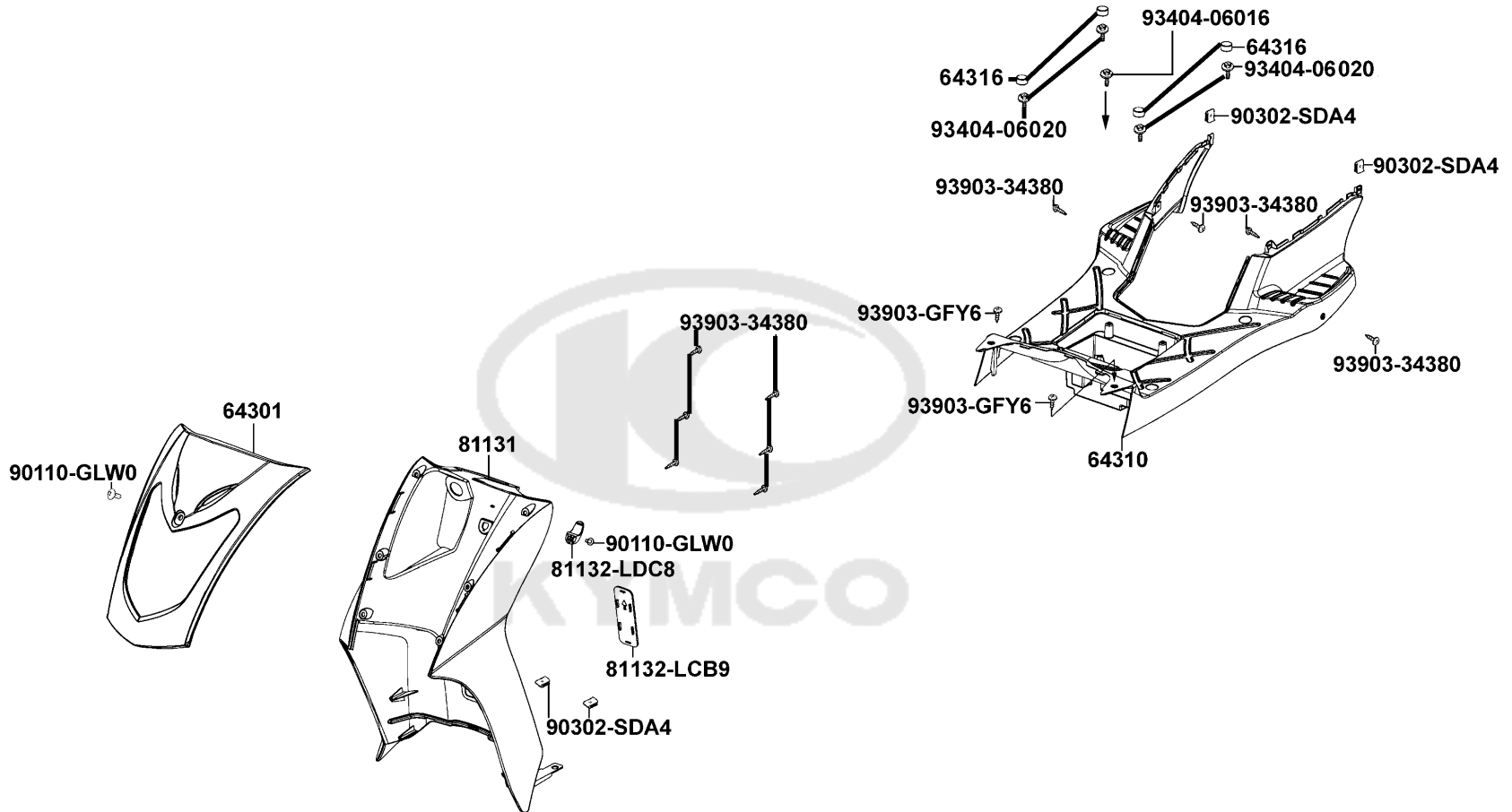


Sales mark 記号	Ref no 参照用番号	Part no パーツ番号	Description 部品名	Reg description 部品名	Regd no 必要個数	Ref Price 希望小売価格(税抜)	F03
90106		90106-GEN5-901	BOLT FLANGE 10*50	BOLT FLANGE 10*50	1	80	
90302		90302-KNBN-C00	BOLT PAN 5*10	BOLT PAN 5*10	1	60	
90304		90304-GHE8-C00	NUT U 10MM (C)	NUT U 10MM (C)	1	200	
93891		93891-05035-07	SCREW WASHER 5*35 (K)	SCREW WASHER 5*35 (K)	1	60	
93903-34380		93903-34380	SCREW TAPPING 4*12 (K)	SCREW TAPPING 4*12 (K)	4	60	
93903-35380		93903-35380	SCREW TAPPING 5*16 (K)	SCREW TAPPING 5*16 (K)	2	60	



F04

COVER FR PANEL FLOOR

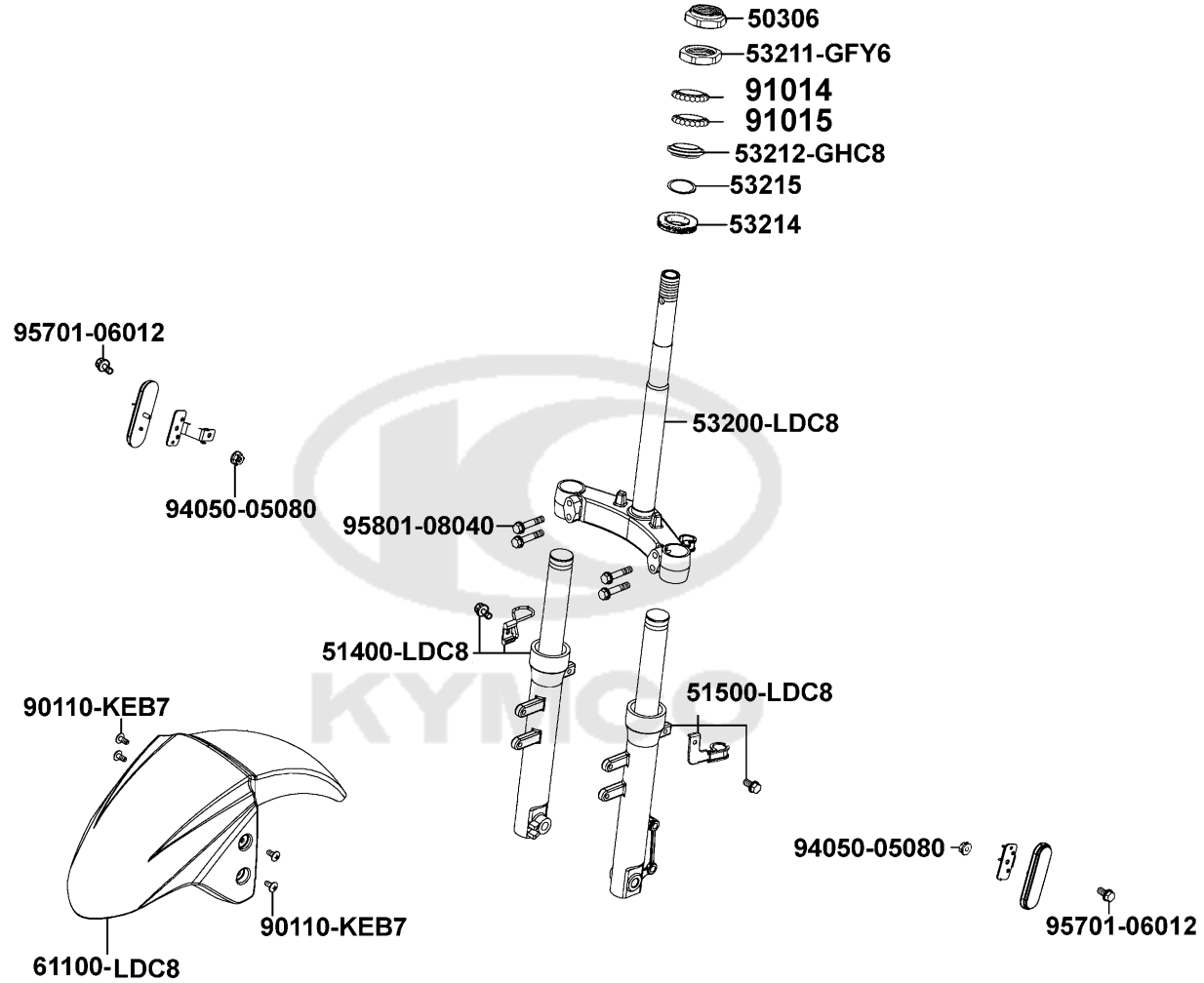


Sales mark 記号	Ref no 参照用番号	Part no パーツ番号	Description 部品名	Reg description 部品名	Regd no 必要個数	Ref Price 希望小売価格(税抜)
	50330	50330-KEBE-C00	SEAL BATTERY FRONT	SEAL BATTERY FRONT	1	250
**	64301	64301-LCB9-C10	COVER FR	COVER FR	1	7490
**	64310	64310-LCB9-C10	PANEL FLOOR	PANEL FLOOR	1	8850
**	64316	64316-LCB9-C10	PLUG FLOOR	PLUG FLOOR	1	180
**	81131	81131-LCB9-C10	LEG SHIELD	LEG SHIELD	1	9180
**	81132-LCB9	81132-LCB9-C10	LID LEG SHIELD	LID LEG SHIELD	1	440
**	81132-LDC8	81132-LDC8-E10	HOOK LUGGAGE	HOOK LUGGAGE	1	130
	90110	90110-GLW0-C00	SCREW SPECIAL 6*14	SCREW SPECIAL 6*14	1	140
	90302	90302-SDA4-C00	NUT SPRING 4MM	NUT SPRING 4MM	1	60
	93404-06016	93404-06016-07	BOLT WASHER 6*16 (K)	BOLT WASHER 6*16 (K)	1	140
	93404-06020	93404-06020-07	BOLT WASHER 6*20 (K)	BOLT WASHER 6*20 (K)	4	140
	93903-34380	93903-34380	SCREW TAPPING 4*12 (K)	SCREW TAPPING 4*12 (K)	10	60
	93903-GFY6	93903-GFY6-C00	SCREW TAPPING 4*14	SCREW TAPPING 4*14	1	60

F04

F05

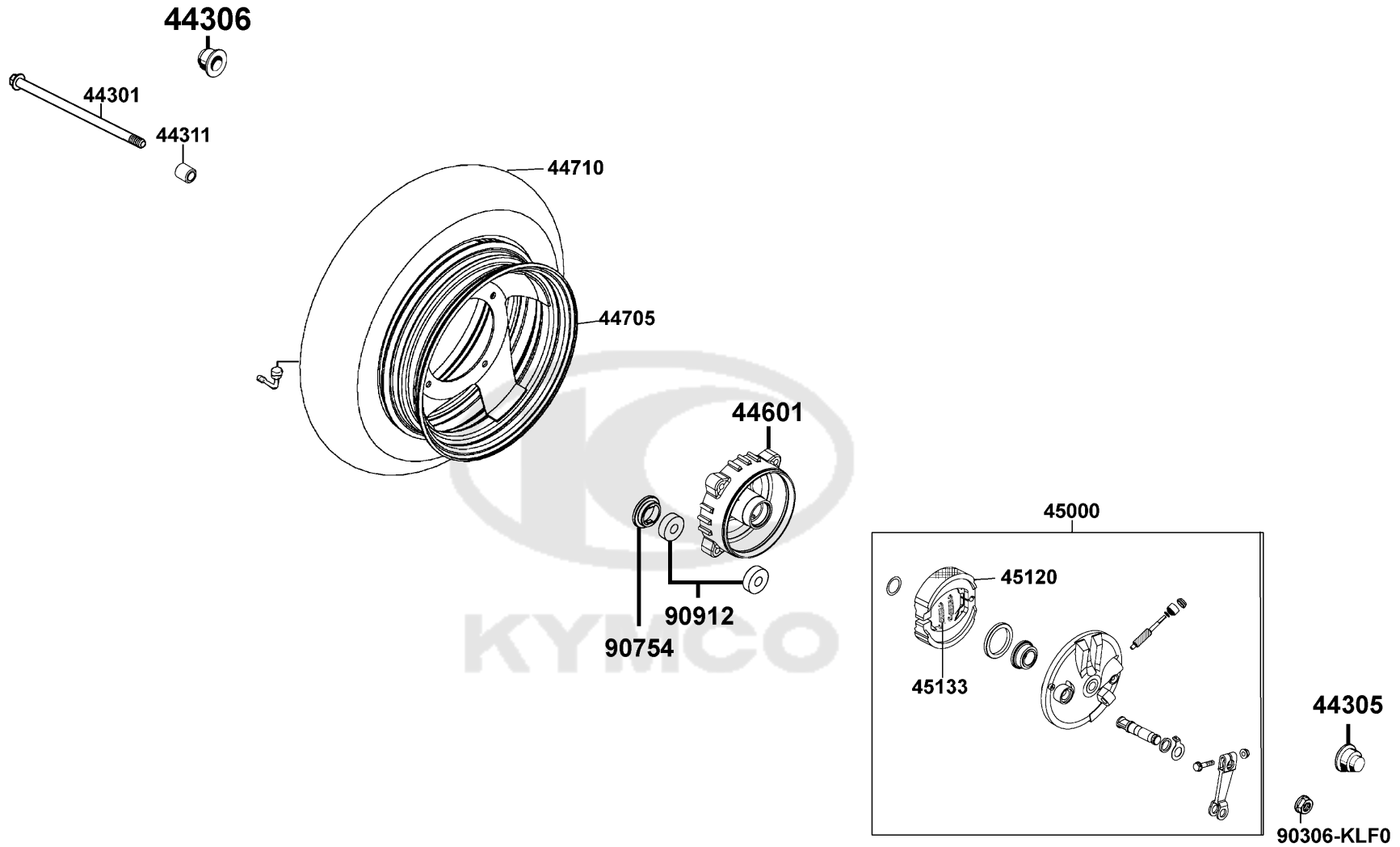
Stem Steering Front Cushion



Sales mark 記号	Ref no 参照用番号	Part no パーツ番号	Description 部品名	Reg description 部品名	Regd no 必要個数	Ref Price 希望小売価格(税抜)	F05
	50306	50306-1F96-C00	NUT STRG STEM LOCK	NUT STRG STEM LOCK	1	200	
	51400	51400-LCB9-C10	FORK ASSY FR R	FORK ASSY FR R	1	14020	
	51500	51500-LCB9-C10	FORK ASSY FR L	FORK ASSY FR L	1	14020	
	53200	53200-LCB9-C10	STEM COMP STRG	STEM COMP STRG	1	12900	
	53211	53211-GFY6-C00	RACE STRG TOP CONE	RACE STRG TOP CONE	1	470	
	53212	53212-2L50-C00	RACE (STRG BOTTOM) CONE	RACE (STRG BOTTOM) CONE	1	680	
	53214	53214-2L50-C00	DUST SEAL STRG HEAD	DUST SEAL STRG HEAD	1	110	
	53215	53215-2L50-C00	WASHER STRG HDL DUST-SEAL	WASHER STRG HDL DUST-SEAL	1	60	
**	61100	61100-LCB9-C10	FENDER FR	FENDER FR	1	6550	
	90110	90110-KEB7-C00	SCREW SPECIAL 6*14	SCREW SPECIAL 6*14	1	140	
	91014	91014-LLJ3-C00	CAGE STRG TOPP	CAGE STRG TOPP	1	90	
	91015	91015-LLJ3-C00	CAGE STRG BOT	CAGE STRG BOT	1	180	
	94050-05080	94050-05080	NUT FLANGE 5MM	NUT FLANGE 5MM	1	200	
	95701	95701-06012-08	BOLT FLANGE 6*12	BOLT FLANGE 6*12	2	60	
	95801	95801-08040-08	BOLT FLANGE 8*40	BOLT FLANGE 8*40	4	90	

F06

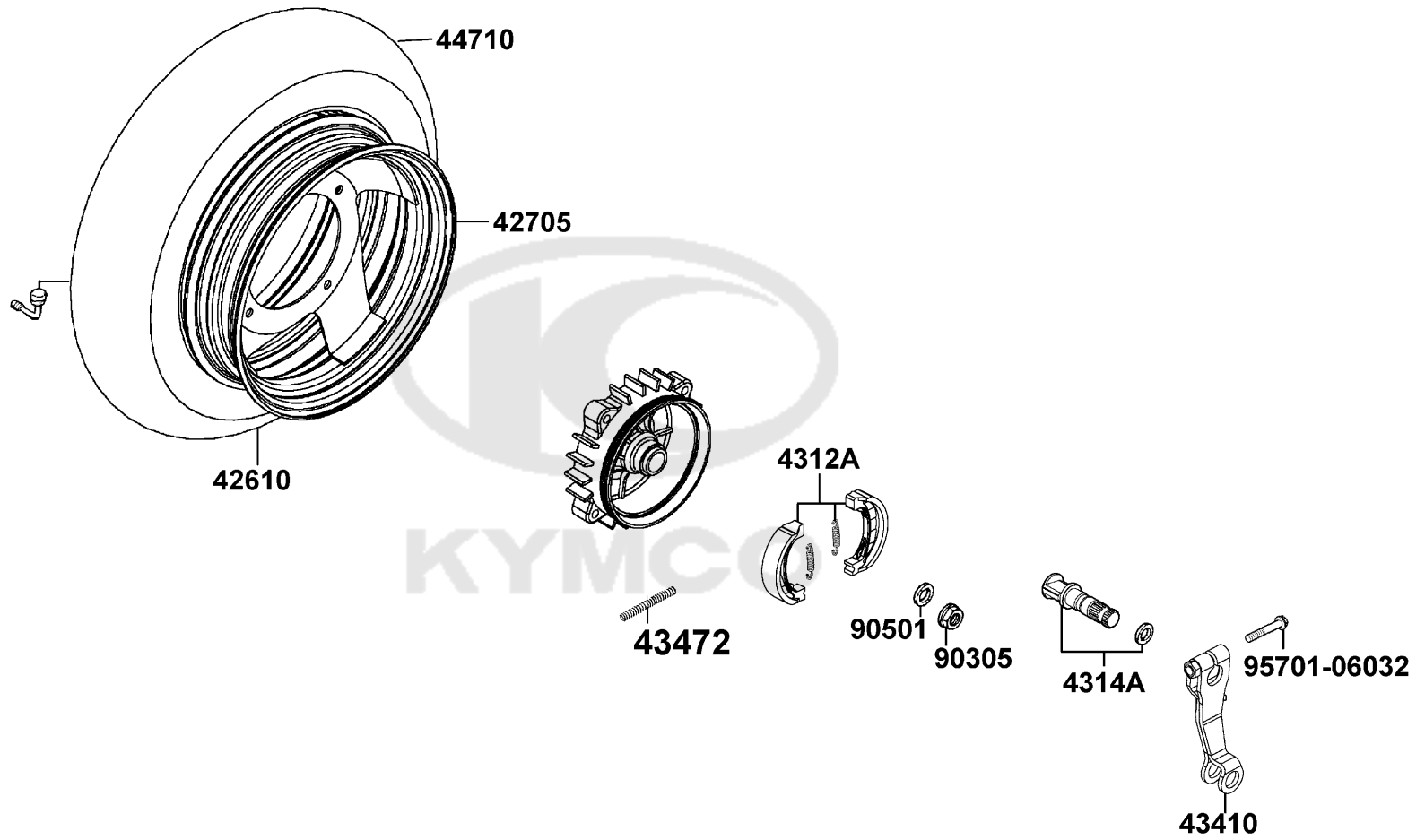
Front Wheel



Sales mark 記号	Ref no 参照用番号	Part no パーツ番号	Description 部品名	Reg description 部品名	Regd no 必要個数	Ref Price 希望小売価格(税抜)	F06
	44301	44301-KBE2-C10	AXLE FR WHEEL	AXLE FR WHEEL	1	1390	
	44305	44305-KGE2-E00	AXLE PROTECTOR L	AXLE PROTECTOR L	1	440	
	44306	44306-KGE2-E00	AXLE PROTECTOR R	AXLE PROTECTOR R	1	440	
	44311	44311-GLW0-W10	CLLAR FR WHEEL SIDE	CLLAR FR WHEEL SIDE	1	580	
**	44705	44705-KHC4-900	WHEEL ASSY FR HUB	WHEEL ASSY FR HUB	1		
	44710	44710-KGBG-C00	TIRE ASSY FR	TIRE ASSY FR	1	7760	
	45000	45000-GLW0-900	PANEL ASSY FR BRK	PANEL ASSY FR BRK	1	11100	
	45120	45120-KXCX-C10	BRAKE SHOE COMP	BRAKE SHOE COMP	1	1350	
	45133	45133-0H28-C00	SPRING BRAKE SHOE	SPRING BRAKE SHOE	1	140	
	90306	90306-KLF0-C00	NUT FLANGE 12MM	NUT FLANGE 12MM	1	210	
	90754	90754-GHC8-C00	DUST SEAL 20*32*5	DUST SEAL 20*32*5	1	200	
	90912	90912-GHC8-C00	BEARING 6201 (U) (NTN)	BEARING 6201 (U) (NTN)	1	1010	

F07

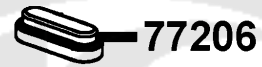
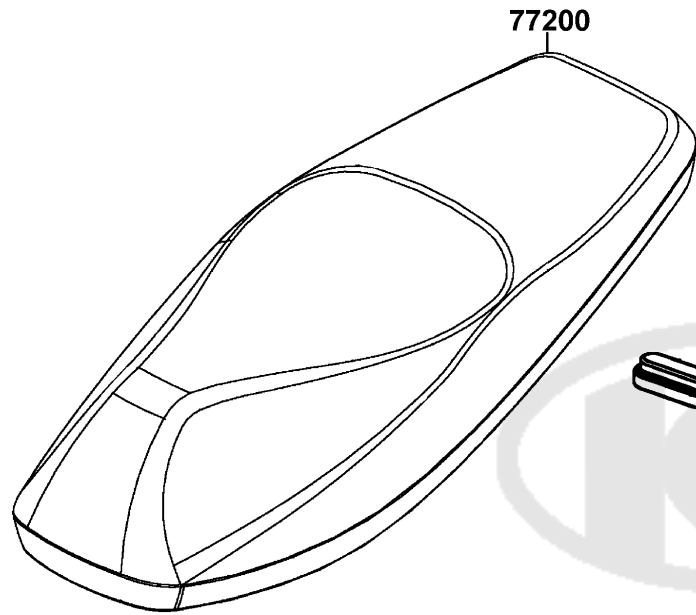
Rear Wheel



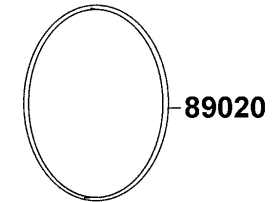
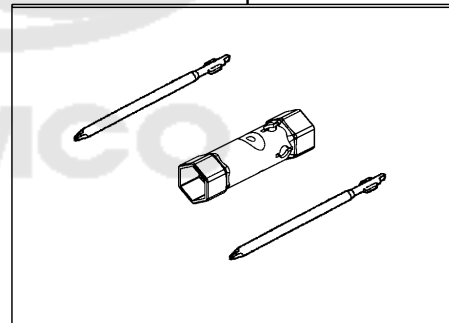
Sales mark 記号	Ref no 参照用番号	Part no パーツ番号	Description 部品名	Reg description 部品名	Regd no 必要個数	Ref Price 希望小売価格(税抜)	F07
	42610	42610-GKAK-9010	HUB SUB COMP RR	HUB SUB COMP RR	1	10220	
**	42705	42705-KHC4-900	WHEEL ASSY FR HUB	WHEEL ASSY FR HUB	1		
	4312A	4312A-KXCX-C00	SHOE ASSY RR BRAKE	SHOE ASSY RR BRAKE	1	2030	
	4314A	4314A-KKD6-E00	CAM ASSY RR BRAKE	CAM ASSY RR BRAKE	1	1820	
	43410	43410-LDA2-900	ARM COMP RR BRAKE	ARM COMP RR BRAKE	1	680	
	43472	43472-KHG8-C00	SPG RR BRK ARM	SPG RR BRK ARM	1	60	
	44710	44710-KGBG-C00	TIRE ASSY FR	TIRE ASSY FR	1	7760	
	90305	90305-KNBN-C00	NUT U 16MM(C)	NUT U 16MM(C)	1	330	
	90501	90501-KNBN-C00	WASHER 16MM	WASHER 16MM	1	70	
	95701	95701-06032-08	BOLT FLANGE 6*32	BOLT FLANGE 6*32	1	60	

F08

Seat



89010



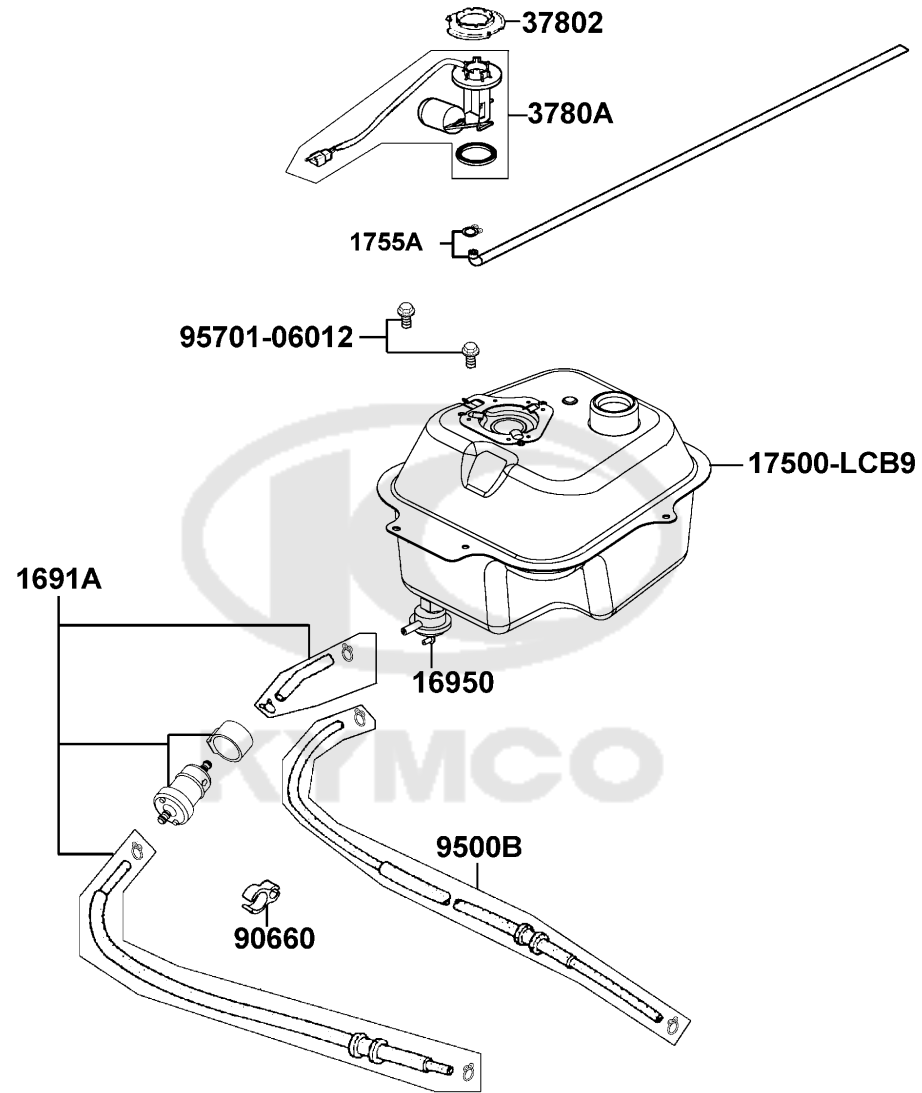
Sales mark 記号	Ref no 参照用番号	Part no パーツ番号	Description 部品名	Reg description 部品名	Regd no 必要個数	Ref Price 希望小売価格(税抜)	F08
------------------	-----------------	------------------	--------------------	------------------------	-----------------	-------------------------	-----

**	77200	77200-LDF7-E10	SEAT ASSY	SEAT ASSY	1	25430	
	77206	77206-LCB9-C10	RUBBER SEAT CUSHION	RUBBER SEAT CUSHION	1	1020	
	89010	89010-KGBG-C00	TOOL SET	TOOL SET	1	1250	
	89020	89020-KKC4-C00	BAND TOOL SET	BAND TOOL SET	1	220	

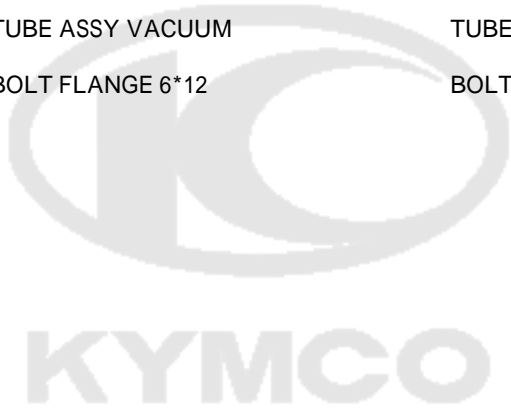


F09

Fuel Tank

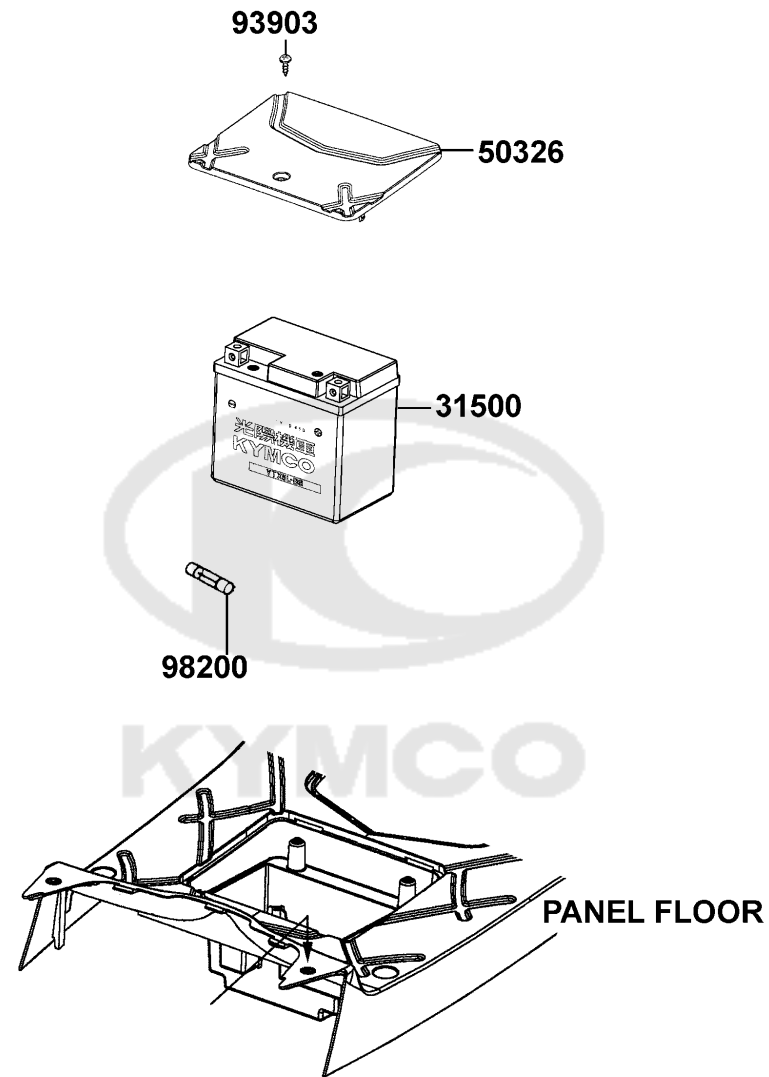


Sales mark 記号	Ref no 参照用番号	Part no パーツ番号	Description 部品名	Reg description 部品名	Regd no 必要個数	Ref Price 希望小売価 格(税抜)	F09
1691A		1691A-LDF7-E10	STRAINER ASSY FUEL	STRAINER ASSY FUEL	1	2560	
16950		16950-KKJ9-C00	AUTO COCK ASSY FUEL	AUTO COCK ASSY FUEL	1	1720	
17500		17500-LCB9-C10	TANK COMP FUEL	TANK COMP FUEL	1	10440	
1755A		1755A-KKD5-C10	TRAY ASSY FUEL CAP	TRAY ASSY FUEL CAP	1	1750	
37802		37802-GGA7-C00	RET FUEL UNIT	RET FUEL UNIT	1	160	
3780A		3780A-LDC8-E10	FUEL UNIT ASSY	FUEL UNIT ASSY	1	2860	
90660		90660-KGBG-C00	CLAMPER TUBE	CLAMPER TUBE	1	60	
9500B		9500B-LDC8-E10	TUBE ASSY VACUUM	TUBE ASSY VACUUM	1	1560	
95701		95701-06012-08	BOLT FLANGE 6*12	BOLT FLANGE 6*12	2	60	



F10

Battery

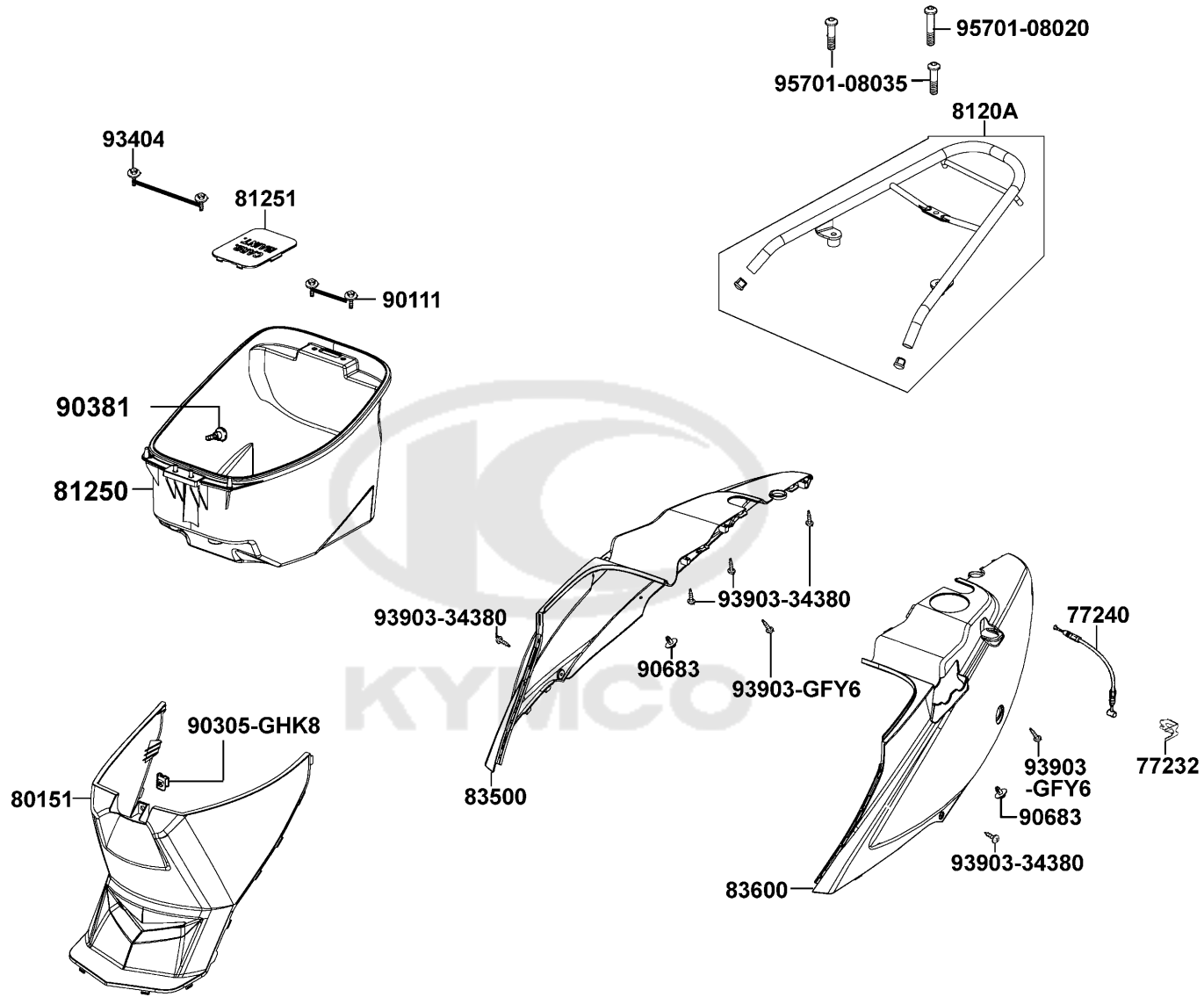


Sales mark 記号	Ref no 参照用番号	Part no パーツ番号	Description 部品名	Reg description 部品名	Regd no 必要個数	Ref Price 希望小売価格(税抜)	F10
	31500	31500-KNBN-C00	BATTERY YTX5L-BS	BATTERY YTX5L-BS	1	15370	
**	50326	50326-LCB9-C10	COVER BATTERY	COVER BATTERY	1	1200	
	93903	93903-35380	SCREW TAPPING 5*16 (K)	SCREW TAPPING 5*16 (K)	1	60	
	98200	98200-10700	FUSE A7	FUSE A7	1	60	

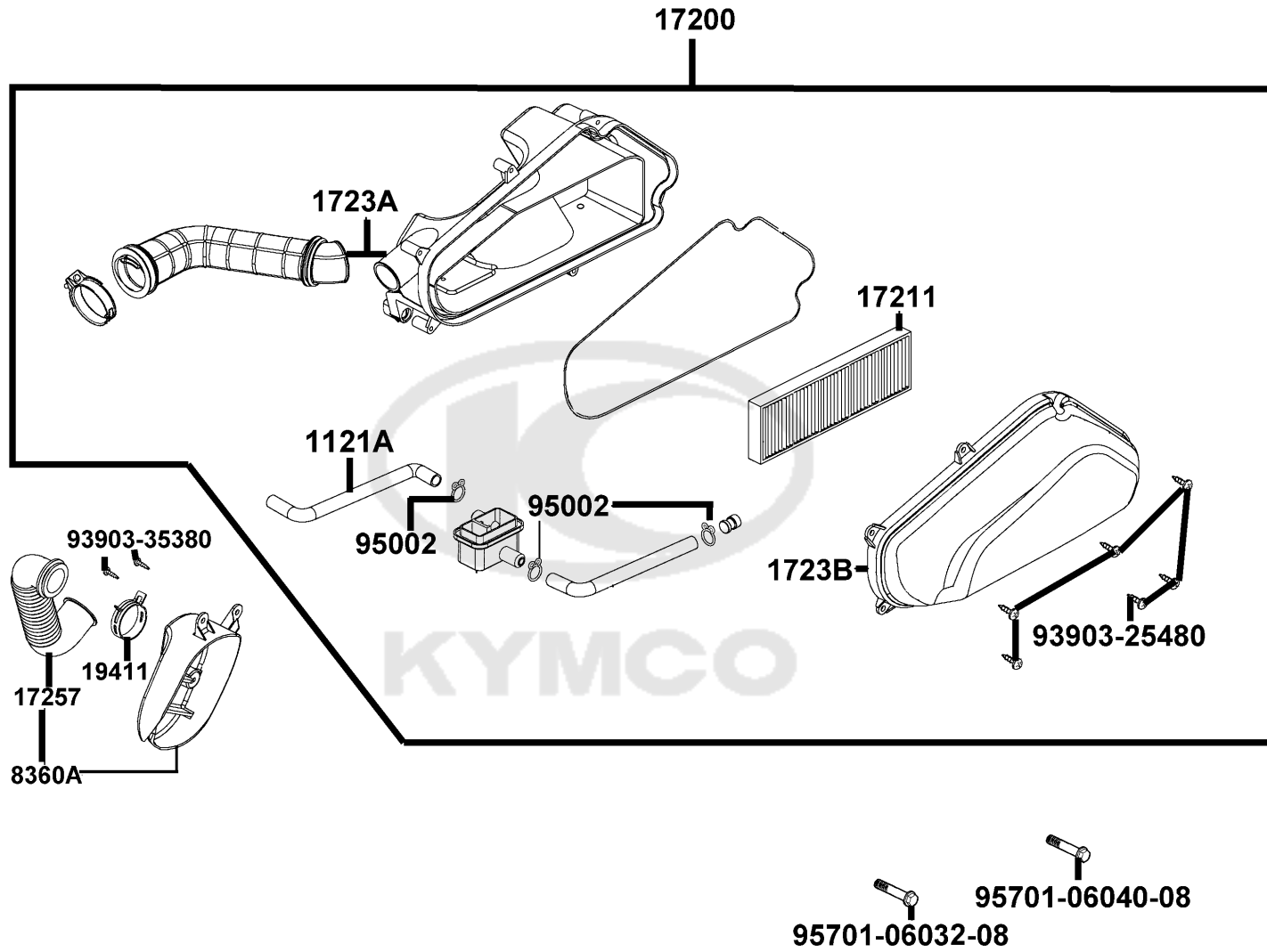


F11

Body Cover Luggage Box COVER CENTER



Sales mark 記号	Ref no 参照用番号	Part no パーツ番号	Description 部品名	Reg description 部品名	Regd no 必要個数	Ref Price 希望小売価格(税抜)	F11
	77232	77232-KCAC-C00	SET SPG SEAT LOCK	SET SPG SEAT LOCK	1	200	
	77240	77240-LDC8-E10	CABLE COMP SEAT LOCK	CABLE COMP SEAT LOCK	1	490	
**	80151	80151-LCB9-C10	COVER CENTER	COVER CENTER	1	3910	
	8120A	8120A-LCB9-C10	CARRIER ASSY LUGGER	CARRIER ASSY LUGGER	1	4290	
**	81250	81250-LCB9-C10	BOX LUGGAGE	BOX LUGGAGE	1	8820	
**	83500	83500-LDF6-B20	COVER R BODY	COVER R BODY	1	6830	
**	83600	83600-LDF6-B20	COVER L BODY	COVER L BODY	1	6830	
	90111	90111-1G87-C00	BOLT, PLANGE 6*14	BOLT, PLANGE 6*14	1	70	
	90305	90305-GHK8-C00	NUT CLIP 6MM	NUT CLIP 6MM	1	70	
	90381	90381-GEZ5-C00	SCREW SPECIAL 6*17	SCREW SPECIAL 6*17	1	60	
	90683	90683-GAR1-C00	CLIP BODY COVER	CLIP BODY COVER	1	60	
	93404	93404-06016-07	BOLT WASHER 6*16 (K)	BOLT WASHER 6*16 (K)	4	140	
	93903-34380	93903-34380	SCREW TAPPING 4*12 (K)	SCREW TAPPING 4*12 (K)	5	60	
	93903-GFY6	93903-GFY6-C00	SCREW TAPPING 4*14	SCREW TAPPING 4*14	1	60	
	95701-08020	95701-08020-07	BOLT FLANGE 8*20 (K)	BOLT FLANGE 8*20 (K)	1	70	
	95701-08035	95701-08035-07	BOLT FLANGE 8*35	BOLT FLANGE 8*35	2	90	

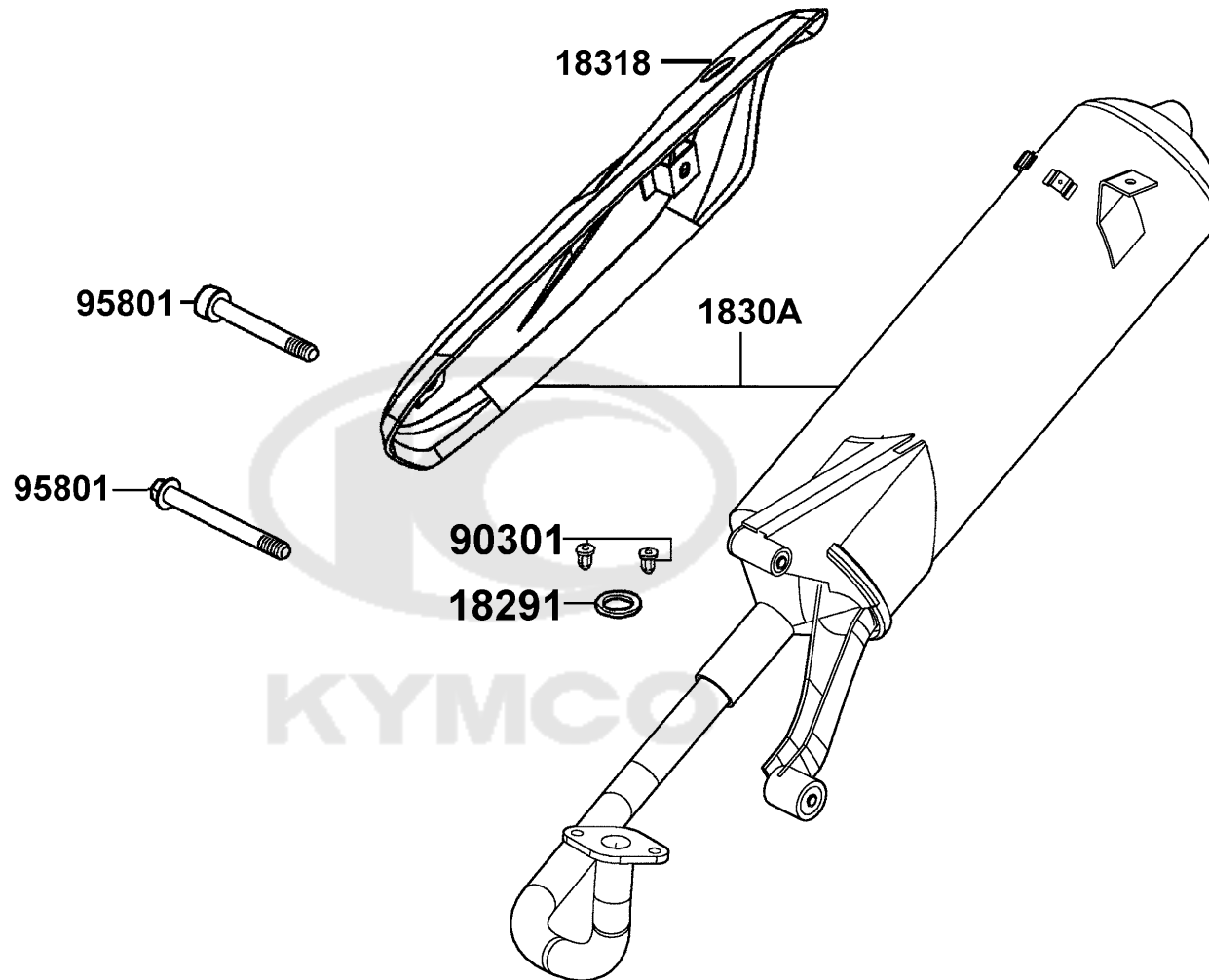


Sales mark 記号	Ref no 参照用番号	Part no パーツ番号	Description 部品名	Reg description 部品名	Regd no 必要個数	Ref Price 希望小売価格(税抜)
1121A	1121A	1121A-LCB9-B20	TUBE ASSY BREATHER	TUBE ASSY BREATHER	1	1150
17200	17200	17200-LCB9-B20	AIR/C ASSY	AIR/C ASSY	1	10440
17211	17211	17211-LCB9-B20	ELEMENT COMP AIR/C	ELEMENT COMP AIR/C	1	2480
1723A	1723A	1723A-LCB9-B20	CASE COMP AIR/C	CASE COMP AIR/C	1	4070
1723B	1723B	1723B-LCB9-B20	COVER COMP AIR/C	COVER COMP AIR/C	1	3250
17257	17257	17257-LCB9-C10	DUCT AIR/C COVER	DUCT AIR/C COVER	1	3020
19411	19411	19411-KNBN-C10	CLIP HOSE	CLIP HOSE	1	510
8360A	8360A	8360A-LBD6-E00	CHAMBER ASSY AIR/C	CHAMBER ASSY AIR/C	1	1340
93903-25480	93903-25480	93903-25480	SCREW TAPPING 5*20 (K)	SCREW TAPPING 5*20 (K)	1	200
93903-35380	93903-35380	93903-35380	SCREW TAPPING 5*16 (K)	SCREW TAPPING 5*16 (K)	1	60
95002	95002	95002-02120	CLIP B12 TUBE	CLIP B12 TUBE	2	60
95701-06032	95701-06032	95701-06032-08	BOLT FLANGE 6*32	BOLT FLANGE 6*32	1	60
95701-06040	95701-06040	95701-06040-08	BOLT FLANGE 6*40	BOLT FLANGE 6*40	1	130

F12

F13

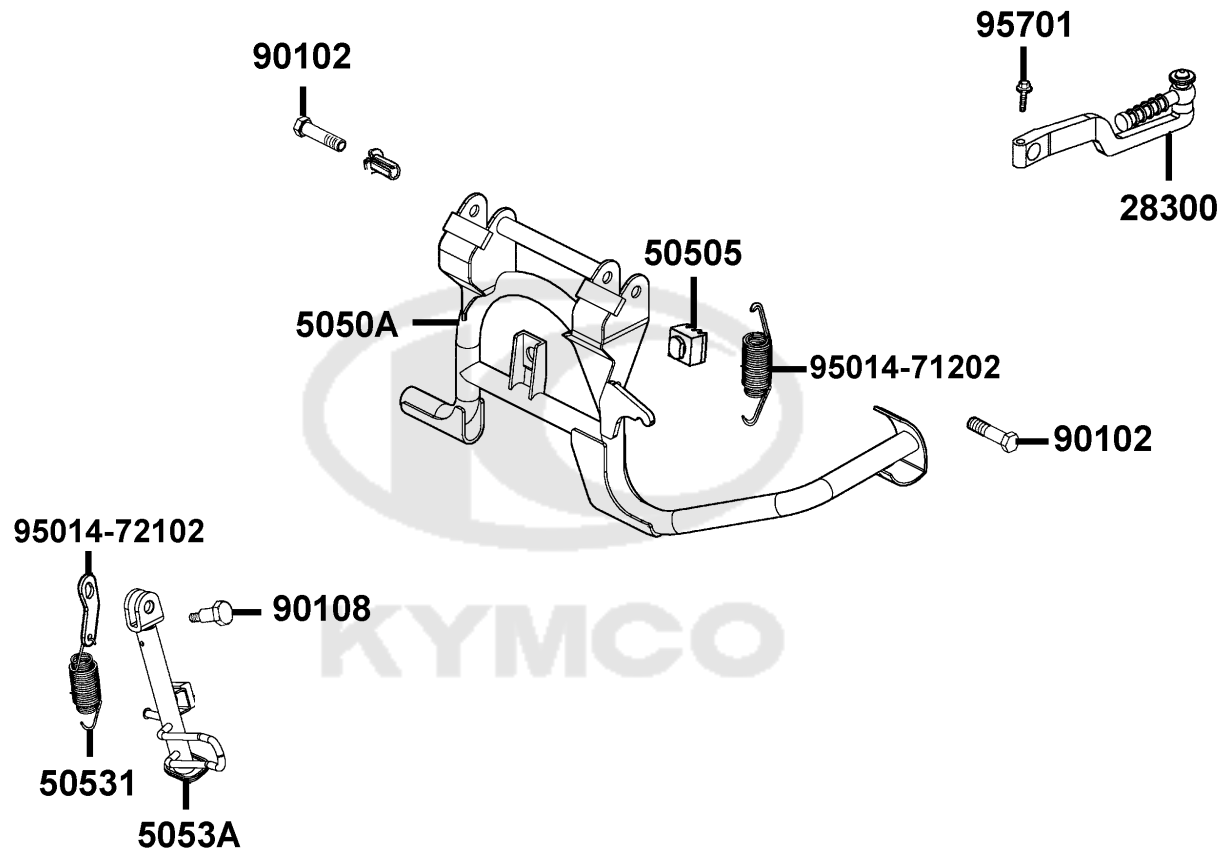
Exhaust Muffler



Sales mark 記号	Ref no 参照用番号	Part no パーツ番号	Description 部品名	Reg description 部品名	Regd no 必要個数	Ref Price 希望小売価格(税抜)	F13
------------------	-----------------	------------------	--------------------	------------------------	-----------------	-------------------------	-----

18291		18291-GGA7-C01	GASKET EXH PIPE	GASKET EXH PIPE	1	210	
1830A		1830A-LCB9-C10	MUFFLER ASSY EXHAUST	MUFFLER ASSY EXHAUST	1	24000	
18318		18318-LDF7-E10	PROTECTOR MUFFLER	PROTECTOR MUFFLER	1	3550	
90301		90301-KGBG-C00	NUT CAP 6MM	NUT CAP 6MM	1	350	
95801		95801-08045-07	BOLT FLANGE8*45 (K)	BOLT FLANGE8*45 (K)	1	140	





Sales mark 記号	Ref no 参照用番号	Part no パーツ番号	Description 部品名	Reg description 部品名	Regd no 必要個数	Ref Price 希望小売価格(税抜)
	28300	28300-KFA3-C00	ARM ASSY KICK STARTER	ARM ASSY KICK STARTER	1	1720
	50505	50505-KEBE-C00	STOPPER RUBBER	STOPPER RUBBER	1	180
	5050A	5050A-LDF6-B20	STAND ASSY MAIN	STAND ASSY MAIN	1	4530
	50531	50531-KEB7-C00	PLATE SPRING STOPPER	PLATE SPRING STOPPER	1	210
	5053A	5053A-LCB9-C10	STAND ASSY SIDE	STAND ASSY SIDE	1	1530
	90102	90102-GLE0-001	BOLT HINGE PIVOT	BOLT HINGE PIVOT	1	200
	90108	90108-GFY6-901	SCREW SIDE STAND PIVOT	SCREW SIDE STAND PIVOT	1	130
	95014-71202	95014-71202	SPG B MAIN STAND	SPG B MAIN STAND	1	200
	95014-72102	95014-72102	SPG A SIDE STAND	SPG A SIDE STAND	1	60
	95701	95701-06022-02	BOLT FLANGE 6*22	BOLT FLANGE 6*22	1	130

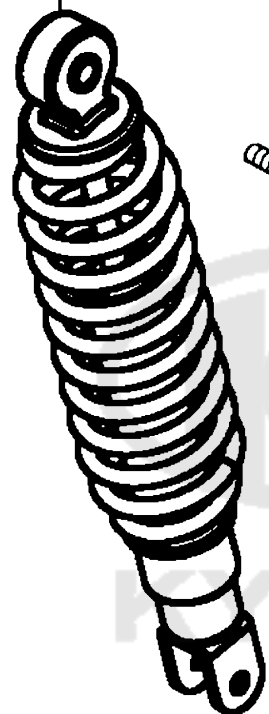
F14



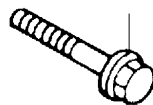
F15

Rear Cushion

52400



95801-08032



95801-10035



Sales mark 記号	Ref no 参照用番号	Part no パーツ番号	Description 部品名	Reg description 部品名	Regd no 必要個数	Ref Price 希望小売価格(税抜)
------------------	-----------------	------------------	--------------------	------------------------	-----------------	-------------------------

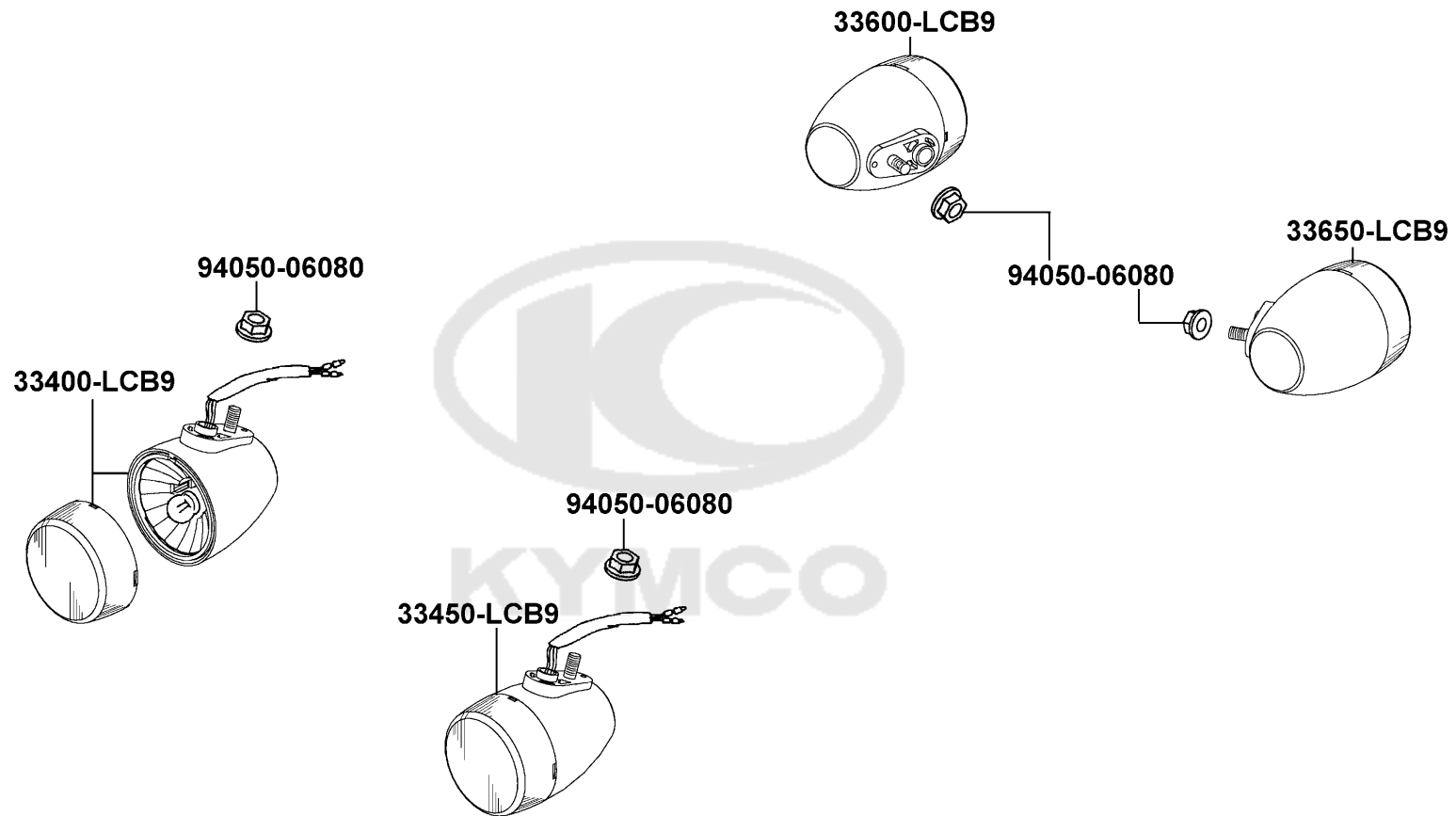
F15

**	52400	52400-KHC4-900	CUSHION ASSY REAR ** (0) C.2005.10.08	CUSHION ASSY REAR ** (0) C.2005.10.08	1	5710
	95801-08032	95801-08032-08	BOLT FLANGE 8*32(C)	BOLT FLANGE 8*32(C)	1	110
	95801-10035	95801-10035-08	BOLT FLANGE 10*35	BOLT FLANGE 10*35	1	160



F16

Winker



Sales mark 記号	Ref no 参照用番号	Part no パーツ番号	Description 部品名	Reg description 部品名	Regd no 必要個数	Ref Price 希望小売価格(税抜)
------------------	-----------------	------------------	--------------------	------------------------	-----------------	-------------------------

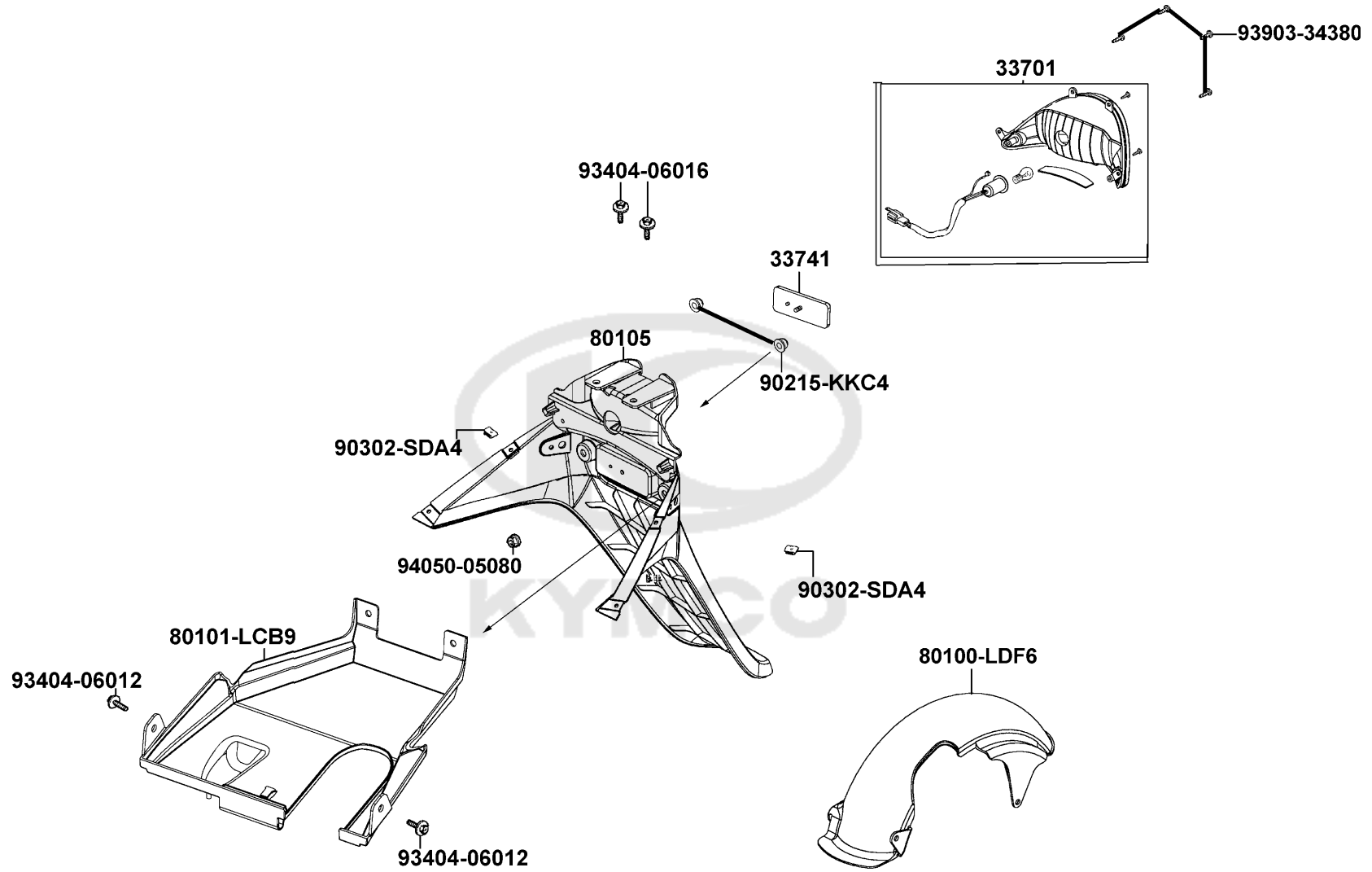
F16

33400	33400-LDC8-E10	33400-LDC8-E10	WINKER ASSY R FR	WINKER ASSY R FR	1	2820
33450	33450-LDC8-E10	33450-LDC8-E10	WINKER ASSY L FR	WINKER ASSY L FR	1	3240
33600	33600-LDC8-E10	33600-LDC8-E10	WINKER ASSY RH RR	WINKER ASSY RH RR	1	2820
33650	33650-LDC8-E10	33650-LDC8-E10	WINKER ASSY LH RR	WINKER ASSY LH RR	1	3240
94050	94050-05080	94050-05080	NUT FLANGE 5MM	NUT FLANGE 5MM	4	200



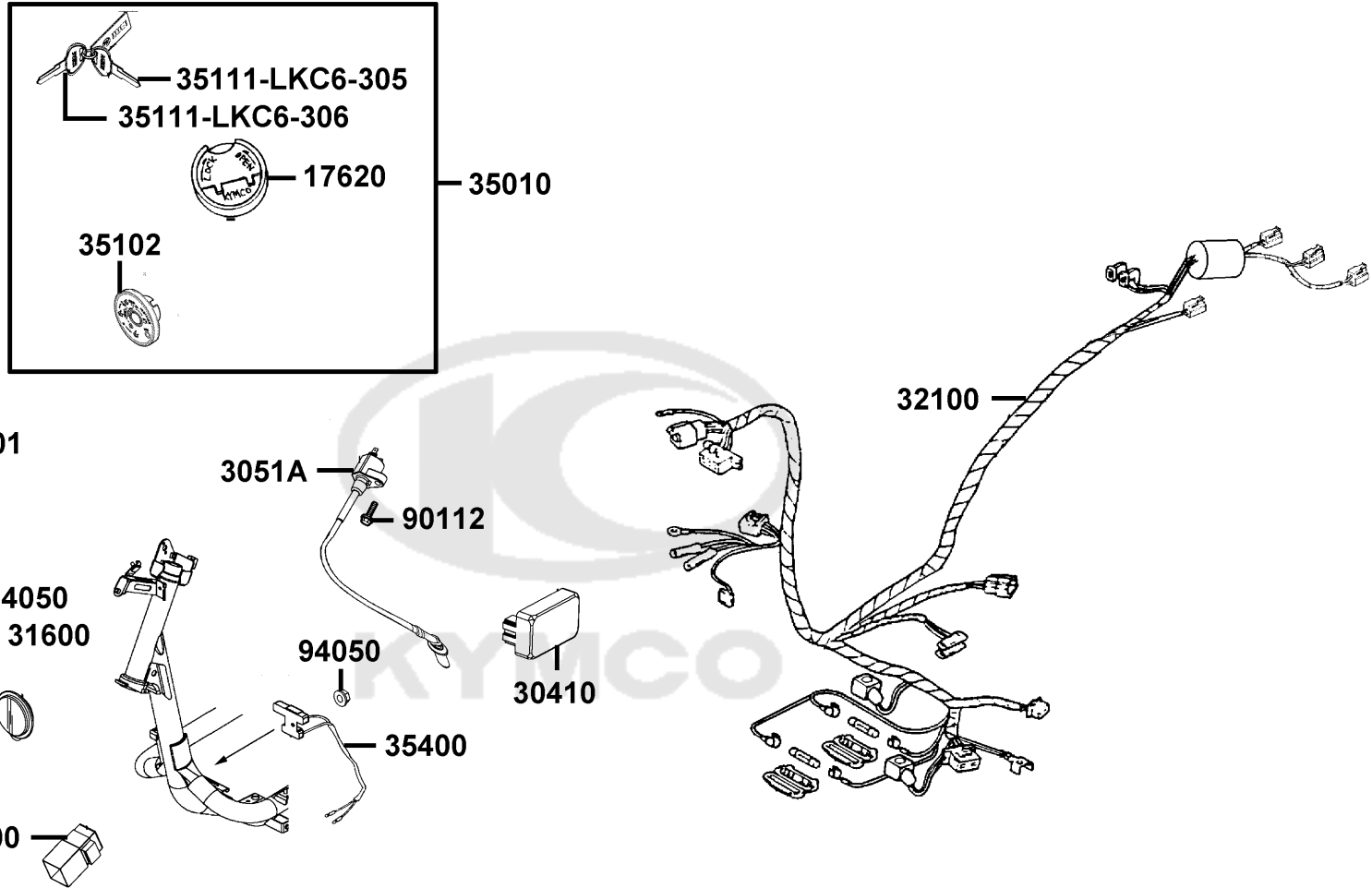
F17

Stay Fender



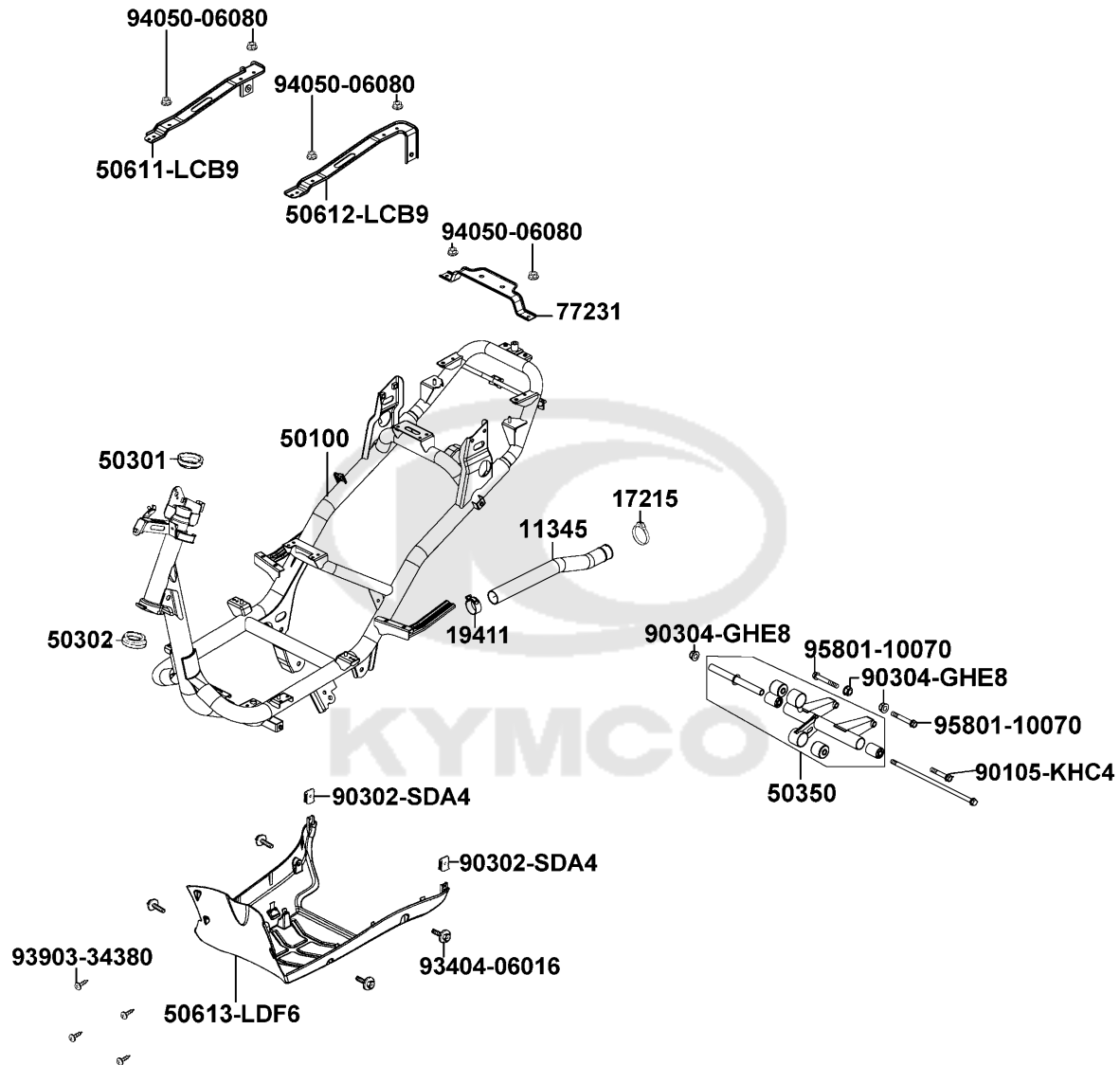
Sales mark 記号	Ref no 参照用番号	Part no パーツ番号	Description 部品名	Reg description 部品名	Regd no 必要個数	Ref Price 希望小売価格(税抜)
	33701	33701-LDF6-B20	UNIT TAIL LIGHT	UNIT TAIL LIGHT	1	9040
	33741	33741-KEBE-C00	REFLEX REFLECTOR	REFLEX REFLECTOR	1	730
**	80100	80100-LDF6-B20	FENDER RR TIRE	FENDER RR TIRE	1	2560
**	80101	80101-LCB9-C10	FENDER RR INNER	FENDER RR INNER	1	4530
**	80105	80105-LCB9-C10	FENDER RR	FENDER RR	1	2460
	90215	90215-KKC4-C00	NUT CAP 6MM	NUT CAP 6MM	1	140
	90302	90302-SDA4-C00	NUT SPRING 4MM	NUT SPRING 4MM	1	60
	93404-06012	93404-06012-07	BOLT WASH 6*12	BOLT WASH 6*12	2	60
	93404-06016	93404-06016-07	BOLT WASHER 6*16 (K)	BOLT WASHER 6*16 (K)	4	140
	93903	93903-34380	SCREW TAPPING 4*12 (K)	SCREW TAPPING 4*12 (K)	4	60
	94050	94050-05080	NUT FLANGE 5MM	NUT FLANGE 5MM	1	200

F17



Sales mark 記号	Ref no 参照用番号	Part no パーツ番号	Description 部品名	Reg description 部品名	Regd no 必要個数	Ref Price 希望小売価格(税抜)
17620	17620-LDF7-E10	17620-LDF7-E10	CAP COMP FUEL FILLER	CAP COMP FUEL FILLER	1	2670
30410	30410-KUDU-C00	30410-KUDU-C00	UNIT COMP CDI	UNIT COMP CDI	1	10040
3051A	3051A-KHC4-C00	3051A-KHC4-C00	COIL ASSY IGN	COIL ASSY IGN	1	1700
31600	31600-KUDU-C00	31600-KUDU-C00	REG REC COMP	REG REC COMP	1	1660
32100	32100-LCB9-C10	32100-LCB9-C10	HARNESS WIRE	HARNESS WIRE	1	8540
35010	35010-LDF7-B22	35010-LDF7-B22	KEY SET	KEY SET	1	18370
35102	35102-LEJ3-B20	35102-LEJ3-B20	SHUTTER MAGNETIC LOCK	SHUTTER MAGNETIC LOCK	1	7590
35111-LKC6-305	35111-LKC6-305	35111-LKC6-305	BLANK KEY R	BLANK KEY R	1	560
35111-LKC6-306	35111-LKC6-306	35111-LKC6-306	BLANK KEY L	BLANK KEY L	1	560
35400	35400-LDC8-B20	35400-LDC8-B20	RESISTER COMP	RESISTER COMP	1	2140
38110	38110-KEB7-90A	38110-KEB7-90A	HORN COMP	HORN COMP	1	1250
38500	38500-KKDK-C00	38500-KKDK-C00	SET START MAG	SET START MAG	1	2720
90112	90112-KRDR-C00	90112-KRDR-C00	BOLT FLANGE 5*22	BOLT FLANGE 5*22	1	60
94050	94050-06080	94050-06080	NUT FLANGE 6MM	NUT FLANGE 6MM	3	60
95701	95701-06012-08	95701-06012-08	BOLT FLANGE 6*12	BOLT FLANGE 6*12	1	60

F18

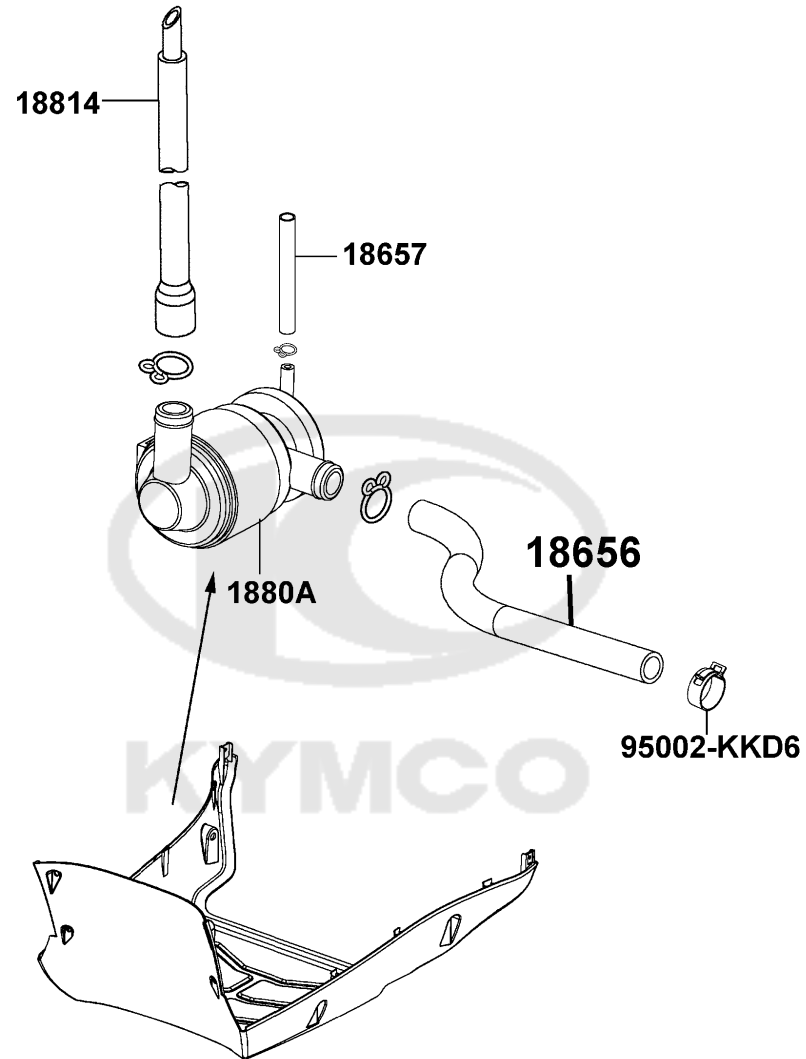


Sales mark 記号	Ref no 参照用番号	Part no パーツ番号	Description 部品名	Reg description 部品名	Regd no 必要個数	Ref Price 希望小売価格(税抜)
	11345	11345-LCB9-C10	DUCT L COVER	DUCT L COVER	1	2580
	17215	17215-KNBN-C00	CLIP ASSY AIR/C DUCT	CLIP ASSY AIR/C DUCT	1	400
	19411	19411-KNBN-C00	CLIP HOSE	CLIP HOSE	1	680
	50100	50100-LCB9-B20	BODY COMP FRAME	BODY COMP FRAME	1	49340
	50301	50301-KGN7-C00	RACE UPPER STRG BALL	RACE UPPER STRG BALL	1	660
	50302	50302-2H68-C00	RACE (STRG BOT) BALL	RACE (STRG BOT) BALL	1	610
	50350	50350-LCB9-C00	HANGER ASSY ENG	HANGER ASSY ENG	1	22770
	50611	50611-LCB9-C10	RNFCT R FLOOR	RNFCT R FLOOR	1	2160
	50612	50612-LCB9-C10	RNFCT L FLOOR	RNFCT L FLOOR	1	2160
**	50613	50613-LDF6-B20	COVER UNDER	COVER UNDER	1	3360
	77231	77231-LCB9-C10	STAY SEAT RUBBER	STAY SEAT RUBBER	1	1660
	90105	90105-KHC4-900	SQUARE BOLT M10X50	SQUARE BOLT M10X50	2	390
	90302	90302-SDA4-C00	NUT SPRING 4MM	NUT SPRING 4MM	1	60
	90304	90304-GHE8-C00	NUT U 10MM (C)	NUT U 10MM (C)	1	200
	93404	93404-06016-07	BOLT WASHER 6*16 (K)	BOLT WASHER 6*16 (K)	4	140
	93903	93903-34380	SCREW TAPPING 4*12 (K)	SCREW TAPPING 4*12 (K)	7	60
	94050-06080	94050-06080	NUT FLANGE 6MM	NUT FLANGE 6MM	4	60
	95801	95801-10070-08	BOLT FLANGE 10*70	BOLT FLANGE 10*70	2	

F19

F20

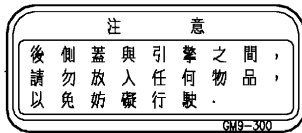
AI/C-AICV ASSY



Sales mark 記号	Ref no 参照用番号	Part no パーツ番号	Description 部品名	Reg description 部品名	Regd no 必要個数	Ref Price 希望小売価格(税抜)	F20
------------------	-----------------	------------------	--------------------	------------------------	-----------------	-------------------------	-----

18656	18656-LDC8-E10	18656-LDC8-E10	DUCT ASSY AICV-REED VALVE	DUCT ASSY AICV-REED VALVE	1	1010	
18657	18657-LDC8-E10	18657-LDC8-E10	TUBE ASSY AICV-INNET PIPE	TUBE ASSY AICV-INNET PIPE	1	520	
1880A	1880A-LDC8-E10	1880A-LDC8-E10	AI/C-AICV ASSY	AI/C-AICV ASSY	1	7610	
18814	18814-LDC8-E10	18814-LDC8-E10	DUCT ASSY AIR-AICV	DUCT ASSY AIR-AICV	1	1020	
95002	95002-KKD6-C00	95002-KKD6-C00	CLAMP D18 TUBE	CLAMP D18 TUBE	1	610	

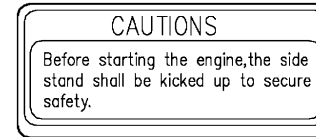




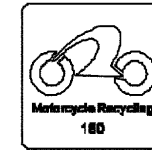
87542



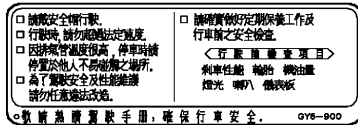
87556



87541



87311



87560



87505



86202

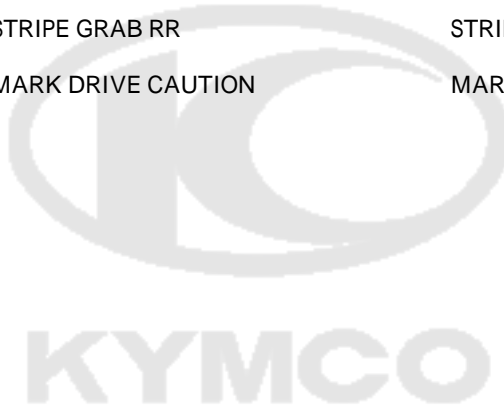


86732



86733

Sales mark 記号	Ref no 参照用番号	Part no パーツ番号	Description 部品名	Reg description 部品名	Regd no 必要個数	Ref Price 希望小売価格(税抜)	F21
**	86202	86202-LDC8-E10		STRIPE BODY COVER	1	3310	
**	86732	86732-LDC8-E10	STRIPE R LEG SHIELD	STRIPE R LEG SHIELD	1	1350	
**	86733	86733-LDC8-E10	STRIPE L LEG SHIELD	STRIPE L LEG SHIELD	1	1350	
**	87311	87311-LAD9-C00	STRIPE R MARK	STRIPE R MARK	1	90	
**	87505	87505-KGBG-C00	LABEL TIRE	LABEL TIRE	1	230	
**	87541	87541-GAR1-C01	MARK MAINT CAUTION L	MARK MAINT CAUTION L	1	130	
**	87542	87542-GAR1-C01	MARK MAINT CAUTION	MARK MAINT CAUTION	1	130	
**	87556	87556-LEJ2-E00	STRIPE GRAB RR	STRIPE GRAB RR	1	60	
**	87560	87560-GFY6-E11	MARK DRIVE CAUTION	MARK DRIVE CAUTION	1	100	



PART NO. INDEX
 パーツ番号 検索

PART NO. パーツ番号	VERSION バージョン	PAGE ページ	PART NO. パーツ番号	VERSION バージョン	PAGE ページ	PART NO. パーツ番号	VERSION バージョン	PAGE ページ
11000			12000			14431-KGBG-W10	0	E02
11100-KGBG-C00	8	E01	12100-KGBG-C01	3	E03	14450-KGBG-W10	0	E02
11102-1G87-C00	3	E01	12191-KGBG-E90	0	E03	14452-KGBG-W10	0	E02
11192-KGBG-E90	0	E01	12200-KGBG-C10	0	E02	14510-KGBG-C00	0	E03
11200-KGBG-C00	8	E01	12209-GDB4-C00	2	E02	14531-GLR0-W10	1	E03
11203-GGC7-W10	2	E01	12211-KGBG-C00	0	E02	14550-LDC8-C10	0	E03
11204-KNBN-C00	0	E01	12251-KGBG-C00	0	E02	14555-KKJ9-C10	0	E03
11205-GHAH-C00	0	E01	12310-KHC5-900	0	E02	14610-KGBG-C00	0	E03
11205-LAB4-C00	0	E01	1231A-KHC5-C10	0	E02	14711-KGBG-C00	0	E02
11206-LBC9-C00	0	E07	12361-GFY6-C00	5	E04	14721-KGBG-C00	0	E02
11207-LCB9-B20	0	E08	12391-KEE1-900	0	E02	14751-GEN5-C00	0	E02
11208-LBC9-C00	0	E01				14761-KGBG-C00	1	E02
1120B-KGN7-C00	0	E09	13000			14771-GDB4-C00	2	E02
1121A-LCB9-B20	1	F12				14775-MFA6-C00	5	E02
11330-KGBG-C00	0	E04	13000-LDC5-C00	6	E03	14781-MFA6-C00	4	E02
11340-KGBG-C00	0	E01	13011-LBC9-900	0	E03	15000		
11345-LCB9-C10	0	F19	13101-LBC9-900	2	E03	15100-LDC5-C00	3	E07
11381-KGBG-C00	0	E01	13111-KGBG-C00	0	E03	15133-LDC5-C00	2	E07
11382-KGBG-C00	0	E01	13115-0A01-C00	2	E03	15421-1G07-C00	1	E04
11383-GFY6-C00	0	E01				15426-GAE1-C00	1	E04
11387-KGBG-C00	0	E02	14000			1565A-LDC8-C10	0	E04
11394-KGBG-C10	0	E04						
11395-KGBG-C10	0	E01	14100-KGBG-C00	4	E02			
			14401-KGBG-C00	0	E03			

PART NO. INDEX
 パーツ番号 検索

PART NO. パーツ番号	VERSION バージョン	PAGE ページ	PART NO. パーツ番号	VERSION バージョン	PAGE ページ	PART NO. パーツ番号	VERSION バージョン	PAGE ページ	
16000			16120-KEC3-900	0	E05	17200-LCB9-B20	0	F12	
			16121-KEC3-900	0	E05	17211-LCB9-B20	0	F12	
			16122-KEC3-900	0	E05	17215-KNBN-C00	0	F19	
	16012-LDC8-E10	3	E05	16123-KGC5-900	0	E05	1723A-LCB9-B20	0	F12
	16016-KGC5-900	1	E05	16124-KEC3-900	0	E05	1723B-LCB9-B20	0	F12
	16019-KHC4-900	0	E05	16131-KGC6-900	0	E05	17256-KGBG-C00	4	E02
	16023-KGC5-900	1	E05	16132-KEC5-900	0	E05	17257-LCB9-C10	1	F12
	16035-KHC4-900	4	E05	16133-KGC5-900	1	E05	17500-LCB9-C10	3	F09
	16044-KEC3-900	1	E05	16136-KGC5-900	1	E05	1755A-KKD5-C10	1	F09
	16046-KEC3-900	0	E05	16138-KEC3-900	1	E05	17620-LDF7-E10	0	F18
	16048-KGC5-900	0	E05	16140-KEC3-900	0	E05	17910-LCB9-B20	2	F03
	16051-KGC5-90A	4	E05	16142-KGC5-900	1	E05			
	16053-KEC3-900	0	E05	16150-KEC3-900	0	E05	18000		
	16068-KGC5-900	6	E05	16154-KGC5-900	3	E05			
	16069-KGC5-900	4	E05	16165-KGC5-900	0	E05	18291-GGA7-C01	1	F13
	16070-KEC3-900	0	E05	16170-KGC5-900	2	E05	1830A-LCB9-C10	0	F13
	16074-KEC3-900	3	E05	16180-KGC5-900	3	E05	18318-LDF7-E10	0	F13
	16079-KGC5-900	2	E05	16183-KEC3-C00	0	E05	18601-KBE2-900	0	E02
	16087-LCB9-900	0	E05	1621A-KGBG-C00	2	E02	18612-GFY6-940	0	E02
	16088-KEC5-900	0	E05	1691A-LDF7-E10	1	F09	18645-GFY6-940	0	E02
16093-KEC3-088	0	E05	16950-KKJ9-C00	4	F09	18646-LDC8-E10	1	E02	
16095-KGC5-900	4	E05				18647-GFY6-9400	0	E02	
16100-LCB9-E70	0	E05	17000			18656-LDC8-E10	1	F20	
16111-KEC3-900	1	E05				18657-LDC8-E10	2	F20	
16116-KGC5-900	0	E05	17110-KGBG-C00	0	E02	1880A-LDC8-E10	2	F20	
16119-KEC3-900	1	E05	1711A-LCB9-B20	0	E02	18814-LDC8-E10	1	F20	

PART NO. INDEX
 パーツ番号 検索

PART NO. パーツ番号	VERSION バージョン	PAGE ページ	PART NO. パーツ番号	VERSION バージョン	PAGE ページ	PART NO. パーツ番号	VERSION バージョン	PAGE ページ
19000			22300-GGAG-C00	1	E06	28250-LDF7-E10	1	E01
			22350-GKAK-C00	0	E06	28253-GBN2-C00	5	E01
			22401-LDC8-E10	0	E06	28255-GFS6-C00	5	E01
19411-KNBN-C00	2	F19	22535-GKAK-C00	0	E06	28281-GBN2-C00	1	E01
19411-KNBN-C10	2	F12	22804-1H48-C00	0	E06	28300-KFA3-C00	3	F14
19510-LDC5-C00	0	E08						
19610-LFC2-E10	2	E08	23000			30000		
19625-KEE1-C00	0	E08						
1962A-KEE1-C00	0	E08	23010-LDC8-E10	0	E06	30410-KUDU-C00	0	F18
1963A-LCB9-E61	0	E08	2301A-LDC8-C10	1	E06	3051A-KHC4-C00	1	F18
			23100-GKAK-C00	0	E06			
21000			23200-GAR1-C00	0	E06	31000		
			23210-GAR1-C00	0	E06			
21200-KGBG-C00	0	E09	23220-LDC8-E10	0	E06	31100-KGBG-C00	0	E08
21395-KNBN-C10	0	E09	23225-GAR1-C00	0	E06	31110-KGBG-C00	0	E08
			23237-GAR1-C00	0	E06	31120-KGBG-C00	0	E08
			23238-GGS7-C00	0	E06	31200-LDC8-E10	1	E07
			23411-GKAK-C00	0	E09	31209-KEE1-C00	2	E07
22100-LDC8-E10	0	E06	23420-GKAK-C00	0	E09	31500-KNBN-C00	5	F10
22102-LDC8-E10	0	E06	23432-KNBN-C00	1	E09	31600-KUDU-C00	2	F18
22103-KEB7-C00	0	E06	2343A-KNBN-C00	0	E09			
22105-KGBG-C00	0	E06				32000		
22110-LDC8-E10	2	E06	28000					
22121-LBD6-315	0	E06						
22131-GHAH-C00	0	E06	28211-KEB7-W10	0	E06	32100-LCB9-C10	0	F18
22132-GLW0-C00	0	E06	2823A-GKAK-W10	1	E01			

PART NO. INDEX
 パーツ番号 検索

PART NO. パーツ番号	VERSION バージョン	PAGE ページ	PART NO. パーツ番号	VERSION バージョン	PAGE ページ	PART NO. パーツ番号	VERSION バージョン	PAGE ページ
33000			37000			44000		
33100-LDF6-B20	0	F01	37200-LCB9-B20	0	F02	44301-KBE2-C10	0	F06
33400-LDC8-E10	3	F16	37802-GGA7-C00	1	F09	44305-KGE2-E00	9	F06
33450-LDC8-E10	1	F16	3780A-LDC8-E10	0	F09	44306-KGE2-E00	9	F06
33600-LDC8-E10	3	F16				44311-GLW0-W10	1	F06
33650-LDC8-E10	1	F16	38000			44601-GAE1-941	1.0	F06
33701-LDF6-B20	0	F17				44705-KHC4-900	0	F06
33741-KEBE-C00	0	F17	38110-KEB7-90A	2	F18	44710-KGBG-C00	0	F06
			38300-KECE-W10	2	F02	44710-KGBG-C00	0	F07
34000			38500-KKDK-C00	5	F18	44830-LCB9-C10	0	F02
34901-LDF6-B20	0	F01	42000			45000		
			42610-GKAK-9010	2	F07	45000-GLW0-900	3	F06
35000			42705-KHC4-900	0	F07	45120-KXCX-C10	2	F06
35010-LDF7-B22	0	F18	43000			45133-0H28-C00	1	F06
35102-LEJ3-B20	0	F18				45450-KECE-C00	0	F03
35111-LKC6-305	0	F18				45517-GFY6-900	5	F03
35111-LKC6-306	0	F18	4312A-KXCX-C00	8	F07	50000		
3515A-LDF7-B20	3	F03	4314A-KKD6-E00	2	F07			
3520A-LGB5-E11	0	F03	43410-LDA2-900	1	F07	50100-LCB9-B20	0	F19
35340-KKJ9-C00	0	F03	43450-LCB9-C10	1	F03	50301-KGN7-C00	2	F19
35400-LDC8-B20	0	F18	43472-KHG8-C00	0	F07	50302-2H68-C00	2	F19

PART NO. INDEX

パーツ番号 検索

PART NO. パーツ番号	VERSION バージョン	PAGE ページ	PART NO. パーツ番号	VERSION バージョン	PAGE ページ	PART NO. パーツ番号	VERSION バージョン	PAGE ページ
50306-1F96-C00	1	F05	53140-KNBN-C00	0	F03			
50326-LCB9-C10	0	F10	53140-KNBN-C00	1	F03	77000		
50330-KEBE-C00	1	F04	53166-KNBN-C00	0	F03			
50350-LCB9-C00	0	F19	53166-KNBN-C00	1	F03	77200-LDF7-E10	0	F08
50505-KEBE-C00	0	F14	53172-KTCT-C00	0	F03	77206-LCB9-C10	0	F08
5050A-LDF6-B20	0	F14	53178-KTCT-C00	0	F03	77231-LCB9-C10	0	F19
50531-KEB7-C00	1	F14	5317A-KTCT-C00	0	F03	77232-KCAC-C00	2	F11
5053A-LCB9-C10	0	F14	5317B-KTCT-C00	0	F03	77240-LDC8-E10	1	F11
50611-LCB9-C10	1	F19	53200-LCB9-C10	0	F05			
50612-LCB9-C10	1	F19	53205-LCB9-C10	0	F03	80000		
50613-LDF6-B20	0	F19	53206-LCB9-C10	0	F03			
			53211-GFY6-C00	1	F05	80100-LDF6-B20	1	F17
51000			53212-2L50-C00	1	F05	80101-LCB9-C10	0	F17
			53214-2L50-C00	5	F05	80101-LCB9-C10	1	F17
51400-LCB9-C10	0	F05	53215-2L50-C00	1	F05	80105-LCB9-C10	0	F17
51500-LCB9-C10	0	F05				80151-LCB9-C10	0	F11
			61000					
52000						81000		
			61100-LCB9-C10	0	F05			
52400-KHC4-900	1	F15				81131-LCB9-C10	0	F04
			64000			81132-LCB9-C10	1	F04
53000						81132-LDC8-E10	1	F04
			64301-LCB9-C10	0	F04	8120A-LCB9-C10	1	F11
53100-LCB9-C10	2	F03	64310-LCB9-C10	0	F04	81250-LCB9-C10	1	F11
53105-KNBN-C00	2	F03	64316-LCB9-C10	4	F04	81250-LCB9-C10	2	F11
53125-GEN5-C00	1	F03	64316-LCB9-C10	5	F04	81251-LCB9-C10	0	F11

PART NO. INDEX
 パーツ番号 検索

PART NO. パーツ番号	VERSION バージョン	PAGE ページ	PART NO. パーツ番号	VERSION バージョン	PAGE ページ	PART NO. パーツ番号	VERSION バージョン	PAGE ページ
83000			88120-LCB9-C10	1	F03	90301-KGBG-C00	0	F13
			89000			90302-KNBN-C00	1	F03
83500-LDF6-B20	0	F11				90302-SDA4-C00	2	F04
83600-LDF6-B20	0	F11	89010-KGBG-C00	1	F08	90302-SDA4-C00	2	F17
8360A-LBD6-E00	0	F12	89020-KKC4-C00	1	F08	90302-SDA4-C00	2	F19
86000						90304-4H38-C00	1	E02
			90000			90304-GHE8-C00	1	F03
86202-LDC8-E10	0	F21	90012-3C33-C00	1	E02	90304-GHE8-C00	1	F19
86732-LDC8-E10	0	F21	90031-KGBG-C00	0	E01	90305-GHK8-C00	2	F11
86733-LDC8-E10	0	F21	90032-KGBG-C00	0	E01	90305-KNBN-C00	1	F07
87000			90033-0A41-C00	0	E02	90306-KLF0-C00	1	F06
			90033-GFY6-C10	2	E02	90381-GEZ5-C00	1	F11
87311-LAD9-C00	0	F21	90102-GLE0-001	0	F14	90412-3K29-C00	5	E01
87505-KGBG-C00	0	F21	90105-KHC4-900	0	F19	90426-KNBN-C00	1	E06
87541-GAR1-C01	0	F21	90106-GEN5-901	1	F03	90429-KNBN-C00	0	E09
87541-GAR1-C01	0	F21	90108-GFY6-901	1	F14	90442-0D44-C00	0	E06
87541-GAR1-C01	1	F21	90110-GLW0-C00	0	F04	90442-GFF6-C00	0	E02
87542-GAR1-C01	2	F21	90110-KEB7-C00	1	F05	90451-GBN2-C00	10	E01
87556-LEJ2-E00	2	F21	90111-1G87-C00	6	F11	90454-GBB2-C00	0	E06
87560-GFY6-E11	3	F21	90112-KRDR-C00	1	F18	90474-1G47-C00	1	E01
88000			90202-1G87-C00	1	E06	90474-3C33-C00	1	E01
			90202-GFF6-011	0	E02	90501-KNBN-C00	1	F07
			90206-0A01-C00	2	E02	9052A-GFY6-C00	5	E01
88110-LCB9-C10	2	F03	90215-KKC4-C00	1	F17	90660-KGBG-C00	1	F09
						90683-GAR1-C00	4	F11
						90701-GFF6-C00	0	E02

PART NO. INDEX
 パーツ番号 検索

PART NO. パーツ番号	VERSION バージョン	PAGE ページ	PART NO. パーツ番号	VERSION バージョン	PAGE ページ	PART NO. パーツ番号	VERSION バージョン	PAGE ページ
90701-GFF6-C00	0	E03	91305-0H28-C00	0	E07	93903-34380	6	F17
90701-HDC4-C00	1	E07				93903-34380	6	F19
90741-0E35-C00	0	E03	92000			93903-35320	4	F02
90754-GHC8-C00	1	F06				93903-35380	2	F01
90912-GHC8-C00	1	F06	92101-05012-0H	2	E08	93903-35380	2	F03
			92900-06050-0B	1	E02	93903-35380	2	F10
91000			93000			93903-35380	2	F12
91001-GGA7-C00	0	E06				93903-GFY6-C00	2	F04
91004-KBN2-C00	0	E01	93404-06012-07	5	F17	93903-GFY6-C00	2	F11
91004-KBN2-C00	0	E09	93404-06016-07	1	F04	93904-35380	2	E08
91004-KNBN-C00	0	E01	93404-06016-07	1	F11	94000		
91009-GLE0-C00	1	E09	93404-06016-07	1	F17			
91014-LLJ3-C00	1	F05	93404-06016-07	1	F19	94001-12280-0S	0	E06
91015-LLJ3-C00	1	F05	93404-06020-07	4	F04	94050-05080	6	F05
91103-GAR1-C00	0	E06	93500-04010-1A	0	E05	94050-05080	6	F16
91201-GFY6-C00	1	E01	93500-04012-1A	0	E05	94050-05080	6	F17
91201-KGBG-C00	0	E04	93500-04014-1A	0	E05	94050-06080	2	E02
91202-GFY6-C00	1	E01	93500-05012-1A	0	E05	94050-06080	2	E07
91204-KNBN-C00	1	E01	93700-05018-0H	1	F02	94050-06080	2	F18
91211-KEE1-C00	0	E06	93891-05035-07	0	F03	94050-06080	2	F19
91255-LDC8-E10	5	E09	93892-04008-18	0	E05	94050-10080	1	E06
91301-GLR0-W10	1	E03	93903-25480	1	F12	94050-10080	1	E08
91301-KEE1-C00	0	E06	93903-34380	6	F03	94301-08140	4	E01
91302-0A01-C00	10	E04	93903-34380	6	F04	94301-08140	4	E04
91304-KGBG-C00	0	E02	93903-34380	6	F11	94301-10200	4	E09

PART NO. INDEX

パーツ番号 検索

PART NO. パーツ番号	VERSION バージョン	PAGE ページ	PART NO. パーツ番号	VERSION バージョン	PAGE ページ	PART NO. パーツ番号	VERSION バージョン	PAGE ページ
94511-14000	10	E01	95701-08040-08	3	E01	98000		
94520-24000	1	E06	95801-08032-08	1	F15			
94540-06018	2	E07	95801-08035-08	0	E01			
94591-LDC8-E10	1	E08	95801-08040-08	4	F05			
95000			95801-08045-07	0	F13	98200-10700	2	F10
			95801-10035-08	1	F15			
			95801-10070-08	2	F19			
95002-02070	2	E05	96000					
95002-02120	1	F12						
95002-KKD6-C00	1	F20						
9500B-LDC8-E10	3	F09		96001-06016-08	6	E08		
95014-71202	1	F14	96001-06018-08	1	E03			
95014-72102	3	F14	96001-06020-08	2	E07			
95701-06012-08	3	F05	96001-06022-08	2	E08			
95701-06012-08	3	F09	96001-06025-08	4	E07			
95701-06012-08	3	F18	96001-06025-08	4	E08			
95701-06022-02	1	F14	96001-06035-08	7	E01			
95701-06025-00	1	E02	96001-06045-08	1	E01			
95701-06032-08	1	E02	96001-06085-08	0	E02			
95701-06032-08	1	F07	96001-06085-08	0	E04			
95701-06032-08	1	F12	96001-06100-08	2	E04			
95701-06040-00	1	E02	96100-62033-00	1	E01			
95701-06040-08	0	F12	96220-LDC5-C00	0	E07			
95701-08012-08	2	E01						
95701-08020-07	0	F11						
95701-08035-07	0	F11						